

Hustler FasTrak SDX CE Parts Manual

General Information	1
Frame & Engine Guard	
Frame	3-1
Engine Guard & Hitch	3-2
Transmissions & Steering	
Hydraulic Transmission	4-1
Transmission Service Parts	4-2
Steering (Multi-Page)	4-3
Steering Assembly	4-4
Steering Box Assembly	4-5
Wheels & Tires	
Wheel & Tire - 48" Mowers	5-1
Front Tire Breakdown - 13 X 5 Tire - 48" Mowers	5-2
Wheel & Tire - 54" & 60" Mowers	5-3
Front Tire Breakdown - 13 X 6.5 Tire - 54" & 60" Mowers	5-4
Drive Wheel Breakdown - 20 X 10 Tire - 48" Mowers	5-5
Drive Wheel Breakdown - 23 X 11 Tire - 54" & 60" Mowers	5-6
Engine & Fuel System	
Engine	6-1
Engine Service Parts	6-2
Fuel System (Multi-Page)	6-3
Electrical, Fenders & Instrument Panel	
Battery & Fenders	7-1
Instrument Panel	7-2
Deck	
48" Side Discharge Service Deck	8-1
48" Side Discharge Deck Pulleys & Spindles	8-2
48" Side Discharge Deck	8-3
48" Rear Discharge Service Deck	8-4
48" Rear Discharge Deck Pulleys & Spindles	8-5
48" Rear Discharge Debris Shield	8-6
48" Rear Discharge Deck	8-7
Rear Discharge CE Guard Kit (Multi-Page)	8-8
54" Service Deck	8-9
54" Deck Pulleys & Spindles	8-10
54" Deck	8-11
60" Service Deck	8-12
60" Deck Pulleys & Spindles	8-13
60" Deck	8-14
Deck Lift (Multi-Page)	8-15
Side Discharge CE Guard Kit (Multi-Page)	8-16
Seat & ROPS	
Seat	9-1
Seat Service Parts - 605812	9-2

Seat Service Parts - 605566	9-3
ROPS	9-4
Appendice AIndice pagine	A
Appendice BIndice parti	B

General Information

This manual covers Hustler® FasTrak® SDX models **933945CE, 933952CE, 933960CE & 934869CE.**

Service Literature

PART NO.	DESCRIPTION
605723CE	OPERATOR'S MANUAL
121669	WARRANTY STATEMENT
121878	GENERAL SERVICE MANUAL

Options Available From Your Dealer

PART NO.	DESCRIPTION
933655	CATCHER
121074	CATCHER ADAPTER KIT 48" DECK
121075	CATCHER ADAPTER KIT 54" DECK
121076	CATCHER ADAPTER KIT 60" DECK
600213	FLEX FORK 48"
605123	FLEX FORK 54" & 60"
121472	STRIPE KIT
121474	MULCH KIT 48" DECK
121475	MULCH KIT 54" DECK
121476	MULCH KIT 60" DECK
121478	HIGH VACUUM KIT 48" DECK
121479	HIGH VACUUM KIT 54" DECK
121480	HIGH VACUUM KIT 60" DECK
121482	LIGHT KIT
333724	STEERING EXTENSION KIT

Note: When ordering parts, you must use the part number as shown for each part, not the index number. Always give the model and serial number to your parts and service representative.

Note: Items sold in bulk such as seals and hoses are sold by the foot.

Using This Manual

This manual is part of a service package for the Hustler® mowers. Use of this manual in conjunction with other Hustler® mower and component manuals will provide the information necessary to service and maintain Hustler® mowers.

This Parts Manual provides a complete parts listing for the unit. Use this manual when ordering parts. Illustrations used were current at the time of printing, but subsequent production changes may cause your machine to vary slightly in detail. Excel Industries, Inc. reserves the right to redesign and change the machine as deemed necessary, without notification. If a change has been made to your machine which is not reflected in this parts manual, see your authorized dealer for current information and parts.

The Service Manual is a service guide for use by Service Technicians. It provides the necessary information needed to perform normal maintenance requirements on these units.

The Operator's Manual provides fundamental operational information and operational safety that is needed when operating the mower.

The component manuals are furnished by the various manufacturers to be used for the troubleshooting and servicing of their products.

Hardware Description Codes & Abbreviations

The following codes are used throughout this parts manual. Refer to this list when ordering parts.

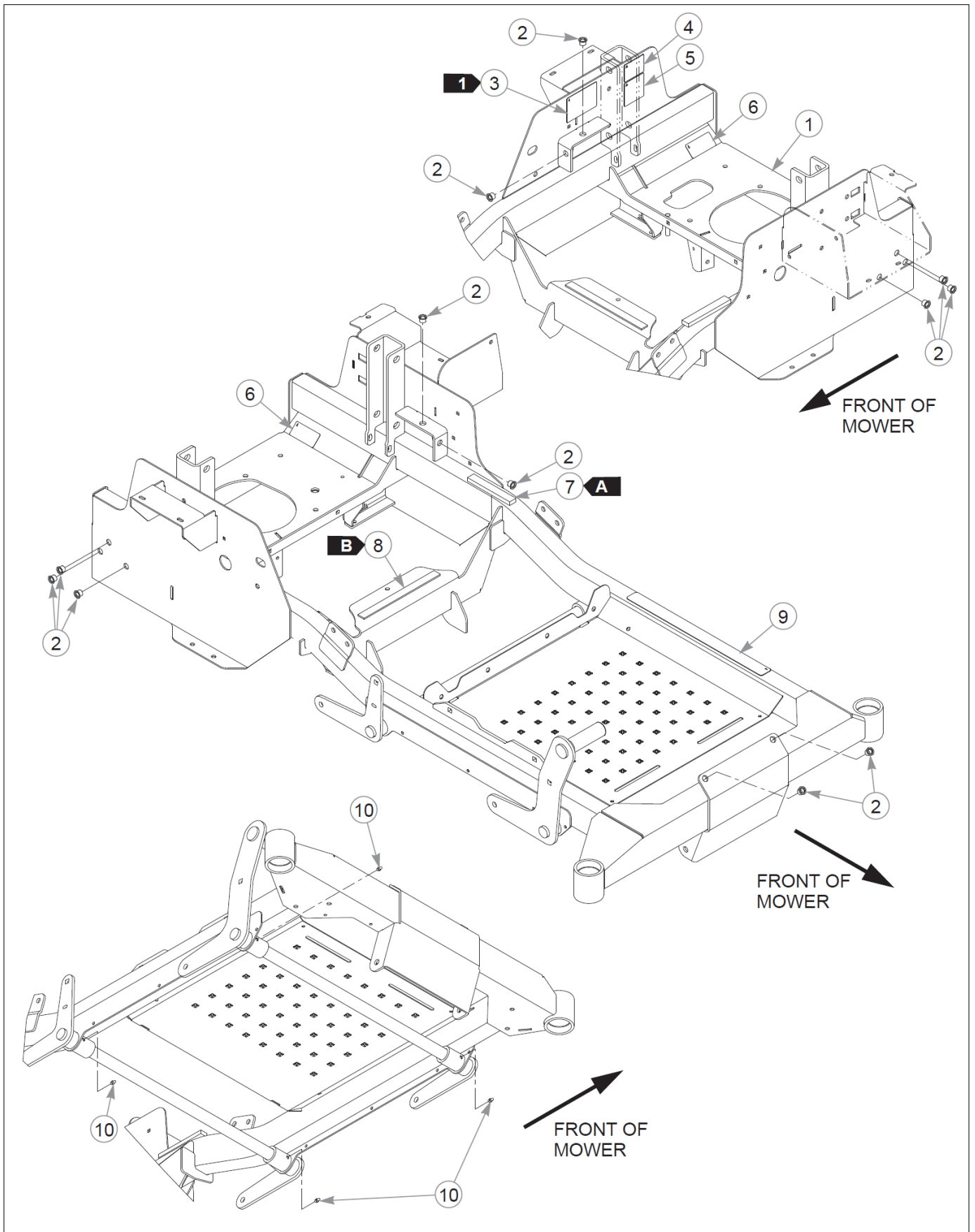
ABBREVIATION	DESCRIPTION	ABBREVIATION	DESCRIPTION
CB	CARRIAGE BOLT	MB	MACHINE BUSHING
CE	CLEVIS PIN	MS	MACHINE SCREW
CN	CLIP NUT	NT	NUT
CP	COTTER PIN	SC	SELF TAPPING CAP SCREW
CS	CAP SCREW	SH	SOCKET HEAD
CW	CUP WASHER	SB	SHOULDER BOLT
FDRW	FENDER WASHER	SS	SET SCREW
FW	FLAT WASHER	OD	OUTSIDE DIAMETER
HX	HEX HEAD	ID	INSIDE DIAMETER
LW	LOCK WASHER	WN	WELD NUT

Standard Torques

The following chart lists the standard torque values for the threaded fasteners found in this manual. Torque all cap screws, nuts and set screws to these values unless a different torque is shown in the Notes section next to the fastener.

SIZE	FT-LBS	N•M	SIZE	FT-LBS	N•M
.250	8.2	11.1	M3	1	1.3
.312	17	23	M4	2.2	3
.375	30	40	M5	4.5	6.1
.438	48	65	M6	7.7	10.4
.500	73	99	M8	18.5	25
.562	105	143	M10	37	50
.625	145	200	M12	64	87
.750	260	350	M14	80	108.5
.875	420	565	M16	160	215
1.00	625	850	M20	320	435
			M24	555	750

Frame & Engine Guard



Elemento	Parte n.	Nome	Q.ta	Udm
1	553087	48 FRAME CE - SVC	1	EA
Not Shown	553088	54/60 FRAME CE - SVC	1	EA
2	808493	RIVET NUT, 3/8-16 THREA	12	EA
3	N/A	SERIAL NUMBER / SPEC DECAL	1	EA
4	776310	DECAL, CE MARK	1	EA
5	789776CE	DBA LIMIT DECAL	1	EA
6	602041	DECAL, HOT	2	EA
7	713198	SEAL 3/8x3/4 SOLD BY FT	13 cm	FT
8	033035	WEATHERSTRIP .12X.75	23 cm	FT
9	601993	DECAL, SAFE OPERATION	1	EA
10	015495	GREASE FITTING STRAIGHT	4	EA

Comments for Page: Frame

jmumford@excelii.com on Mar 15, 2016

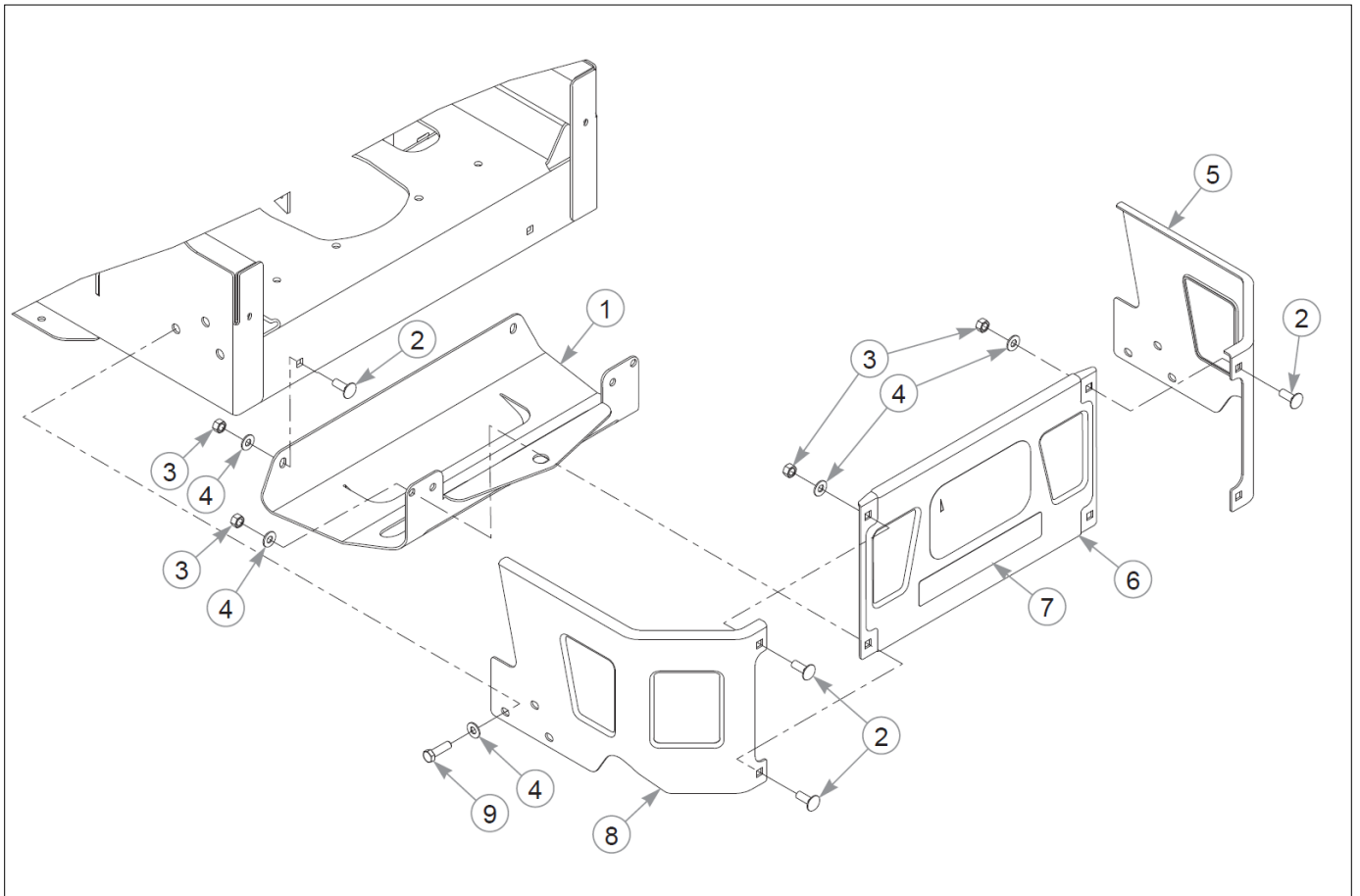
SEAL/WEATHERSTRIP LENGTHS

A: 13 cm

B: 23 cm

1. Serial number decal. In the event the serial number decal becomes damaged or illegible, please contact your dealer to order a replacement.
2. Frames include decals and hardware.

Frame & Engine Guard



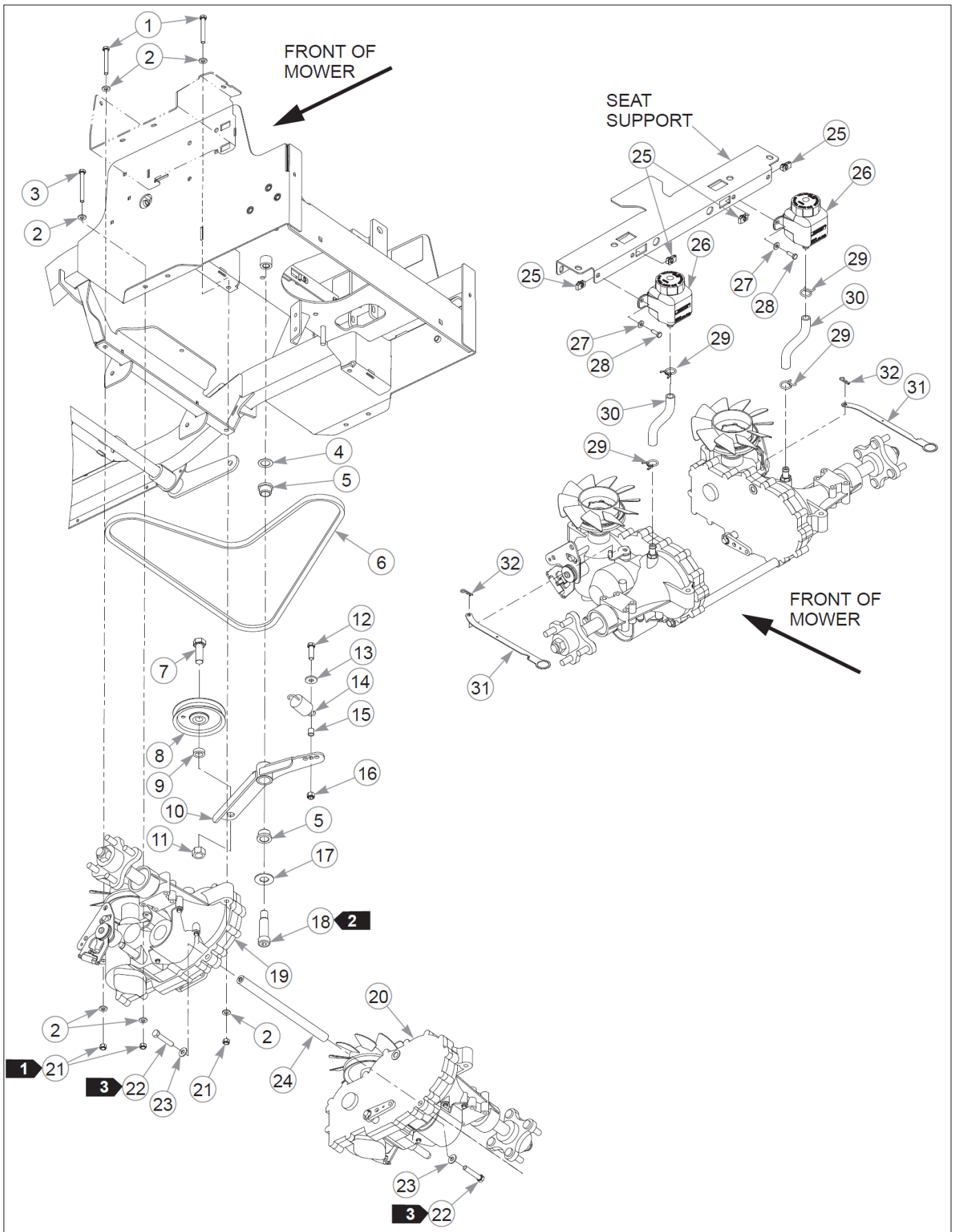
Elemento	Parte n.	Nome	Q.ta	Udm
1	119977	HITCH PLATE	1	EA
2	025395	CB .375-16X 1.00 G5 ZNY	6	EA
3	054502	NT .375-16HXG5	6	EA
4	767954	FW 0.379 x 0.813 x 0.063	12	EA
5	121134	GUARD, RH	1	EA
6	553123	SVC PART, STAMPED BUMPER	1	EA
7	604770	DECAL, "H" LOGO	1	EA
8	121133	GUARD, LH	1	EA
9	052860	CS .375-16X1.250 HX G5	6	EA

Comments for Page: Engine Guard & Hitch

jmumford@excelii.com on Mar 9, 2016

1. The center guard includes the decal.

Transmissions & Steering



Elemento	Parte n.	Nome	Q.ta	Udm
1	710087	CS .312-18X2.500HXG5	4	EA
2	768523	FW 0.343SAE	16	EA
3	043067	CS .312-18X3.000HXG5	4	EA
4	704791	FW 0.781X1.250X0.024	1	EA
5	781153	BUSHING, UHMW	2	EA
6	605468	BELT, A 67.07" EL	1	EA
7	025007	CS .62511X1.750HXG5	1	EA
8	786848	PULLEY, IDLER 4"od x .6	1	EA
9	600296	SPACER, DECK IDLER	1	EA
10	122722	KIT, TENSION ARM	1	EA
11	016972	NT .625-11 HX G5 ZNYC	1	EA
12	052860	CS .375-16X1.250 HX G5	1	EA
13	712919	FW 0.406X1.000X0.120HD	1	EA
14	036384	SPRING 1/4 COIL PL 1.23	1	EA
15	605481	BUSHING	1	EA
16	086660	NT .375-16NLG8	1	EA
17	025296	FW .760X1.625X0.080	1	EA
18	601084	SB .750X 2.000 SH.625-11	1	EA
19	605500	ZT3400, 21.04:1	1	EA
20	605501	ZT3400, 21.04:1	1	EA
21	058776	NT .312-18NLG5	8	EA
22	016410	CS .375-16X2.000HXG5	2	EA
23	767954	FW 0.379 x 0.813 x 0.063	2	EA
24	600987	ZT SPACER TUBE	1	EA
25	601982	CN .250-20X .150 MAX THK	4	EA
26	605217	RESERVOIR, SINGLE FTNG	2	EA
Not Shown	600767	CAP, OVERFLOW TANK	2	EA
27	768515	FW 0.281SAE	4	EA
28	055939	CS .250-20X0.750HXG5	4	EA
29	601001	SPRING CLAMP, .75" DIA	4	EA
30	605218	OVERFLOW HOSE, FST	2	EA

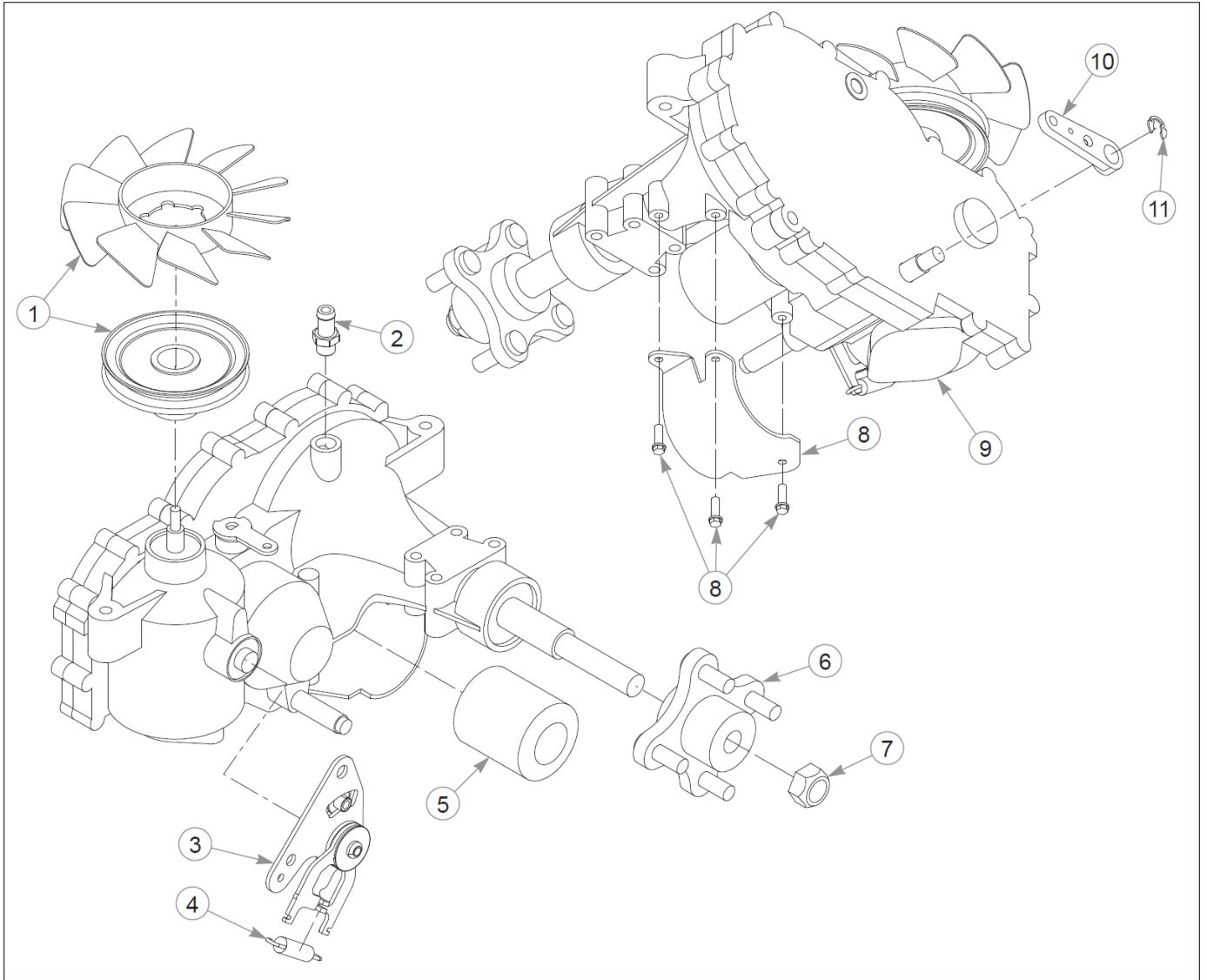
Elemento	Parte n.	Nome	Q.ta	Udm
31	120126	LINK, TOW VALVE	2	EA
32	706549	HP0.080X1.190	2	EA

Comments for Page: Hydraulic Transmission

jmumford@excelii.com on Mar 15, 2016

1. Torque to 23 N•m.
2. Torque to 136 N•m.
3. Torque to 41 N•m.
4. Reservoir (605217) includes the cap (600767).

Transmissions & Steering



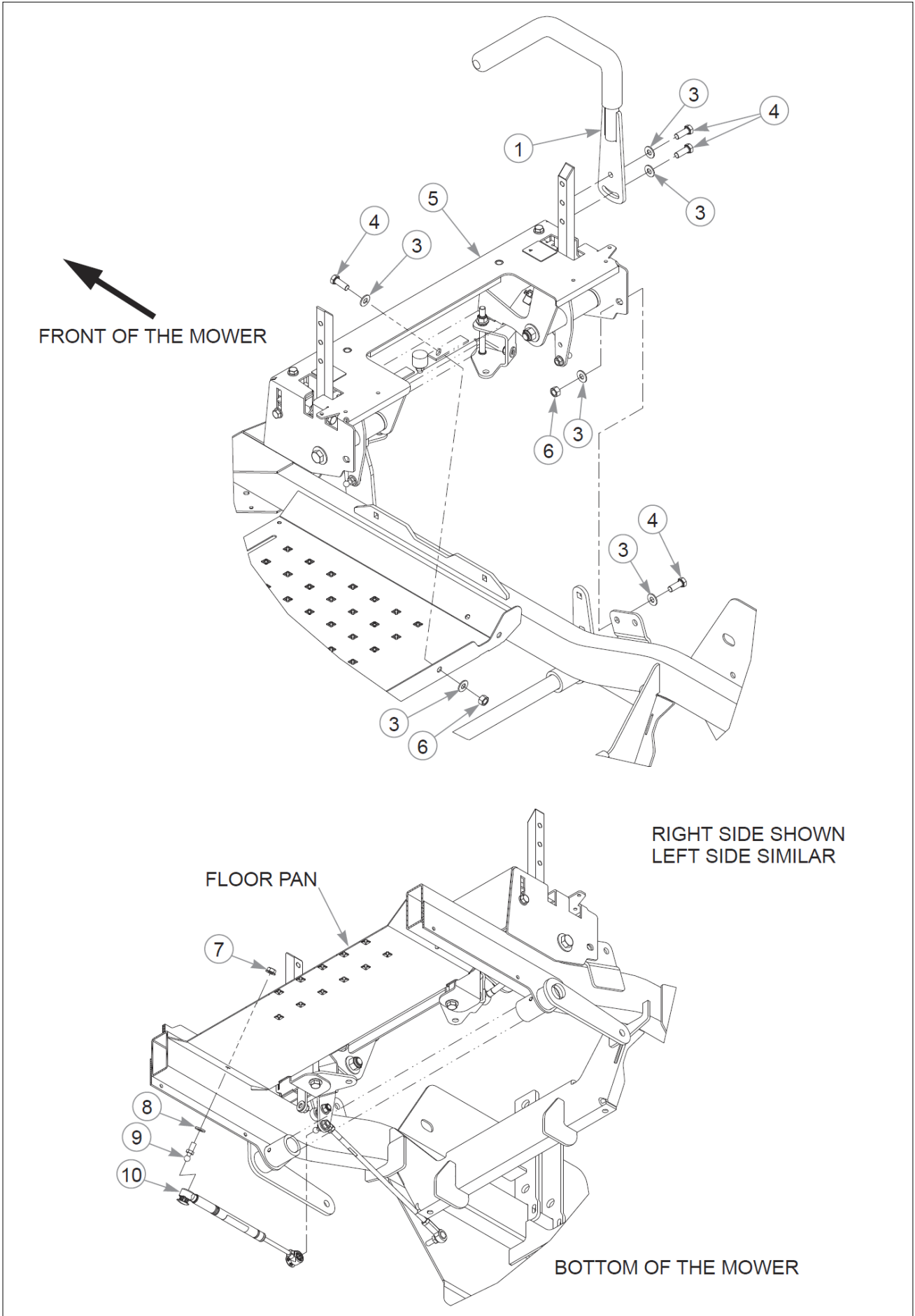
Elemento	Parte n.	Nome	Q.ta	Udm
1	603866	FAN/PULLEY KIT	1	EA
2	605608	FITTING, TRANSMISSION	1	EA
3	605778	RTN, LEFT	1	EA
Not Shown	605779	RTN, RIGHT	1	EA
4	604903	HG RTN SPRING	1	EA
5	600976	FILTER, OIL	1	EA
6	601433	KIT, HUB 4 BOLT	1	EA
<p>Commenti per num parte 601433</p> <p>brian on May 7, 2015</p> <p>CUSTOMER SERVICE NOTE: Lug Studs are not sold separately.</p>				
7	788877	NUT, H-G ZT HUB	1	EA
8	600975	GUARD, TRANS FILTER	1	EA
Not Shown	600974	GUARD, TRANS FILTER	1	EA
9	603572	COVER, ZT3100 CHR G PUMP	1	EA
10	601221	ZT2800 BRAKE ARM - 2007	1	EA
11	600972	CLIP, RETAINING	1	EA
12	603223	O-RING, ZT28/3100 CHARGE	1	EA

Comments for Page: Transmission Service Parts

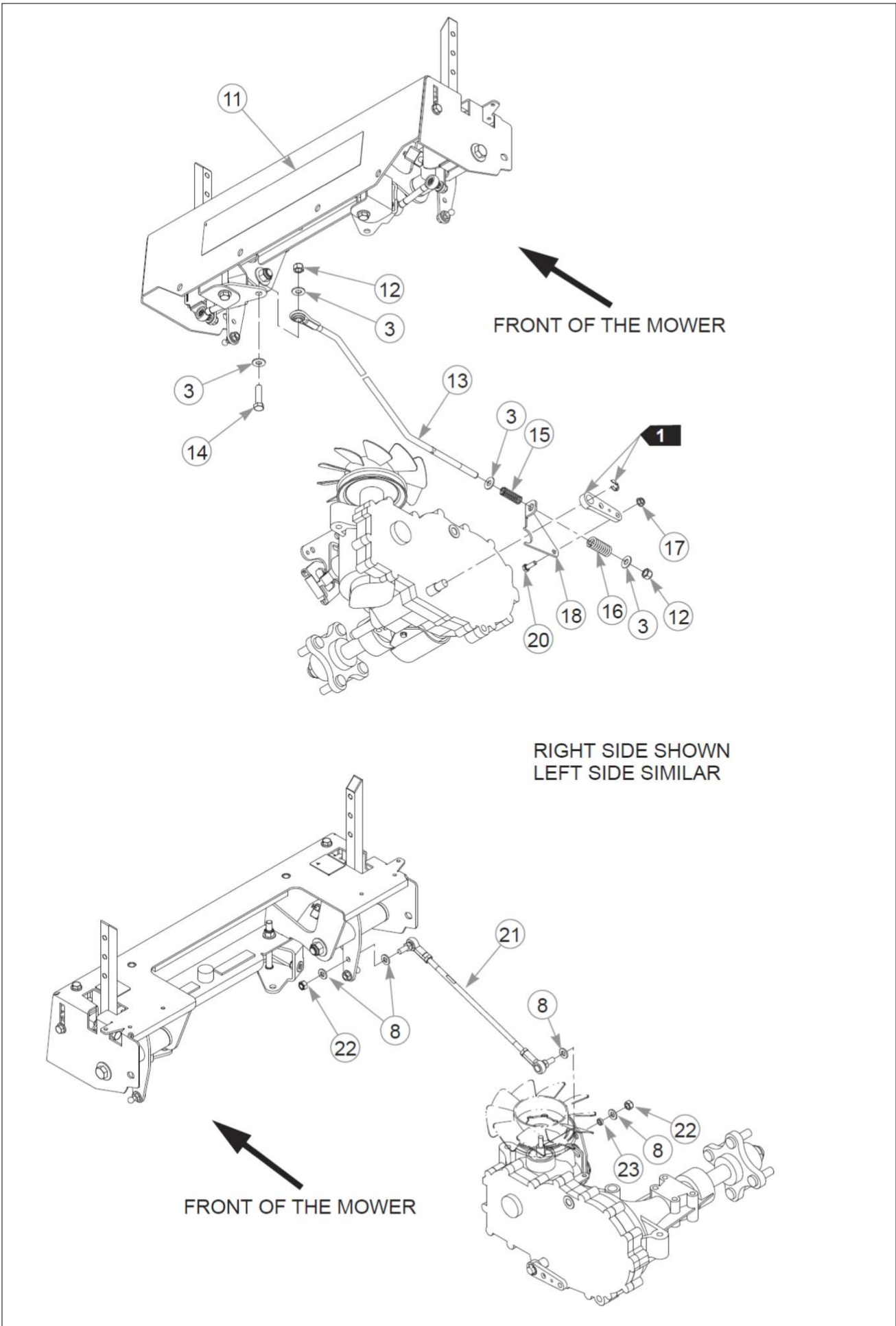
jmumford@excelii.com on Nov 24, 2014

1. The hub kit (601433) includes the nut.
2. The filter guard kits and the charge cover kit include bolts.
3. The left and right returns (605778 & 605779) include springs.

Transmissions & Steering



Elemento	Parte n.	Nome	Q.ta	Udm
1	605383	STEERING BAR W/A, RH	1	EA
REF	781260	GRIP, STEERING BAR	1	EA
2	605384	STEERING BAR W/A, LH	1	EA
3	767954	FW 0.379 x 0.813 x 0.063	24	EA
4	036244	CS .375-16X1.000HXG5	10	EA
5	N/A	STEERING ASSEMBLY	1	EA
6	054502	NT .375-16HXG5	6	EA
7	016832	NT .312-18FLKG5	2	EA
8	768523	FW 0.343SAE	10	EA
9	781922	BALL STUD, DAMPER	2	EA
10	603983	DAMPER	2	EA
11	605724	DECAL, FASTRAK SDX	1	EA
12	086660	NT .375-16NLG8	4	EA
13	605145	BRAKE ROD ASSEMBLY	2	EA
14	080655	CS .375-16X1.500HXG5	2	EA
15	601131	SPRING, BRAKE ARM RET.	2	EA
16	601051	OVERTRAVEL SPRING	2	EA
17	016816	NT .250-20FLKG5	2	EA
18	120671	BRAKE SPRING LINK, RS	1	EA
19	120672	BRAKE SPRING LINK, LS	1	EA
20	055939	CS .250-20X0.750HXG5	2	EA
21	600981	PUMP ROD ASSEMBLY	2	EA
22	023655	NT .312-24NLG5	4	EA
23	604456	SPACER, PUMP ARM	2	EA

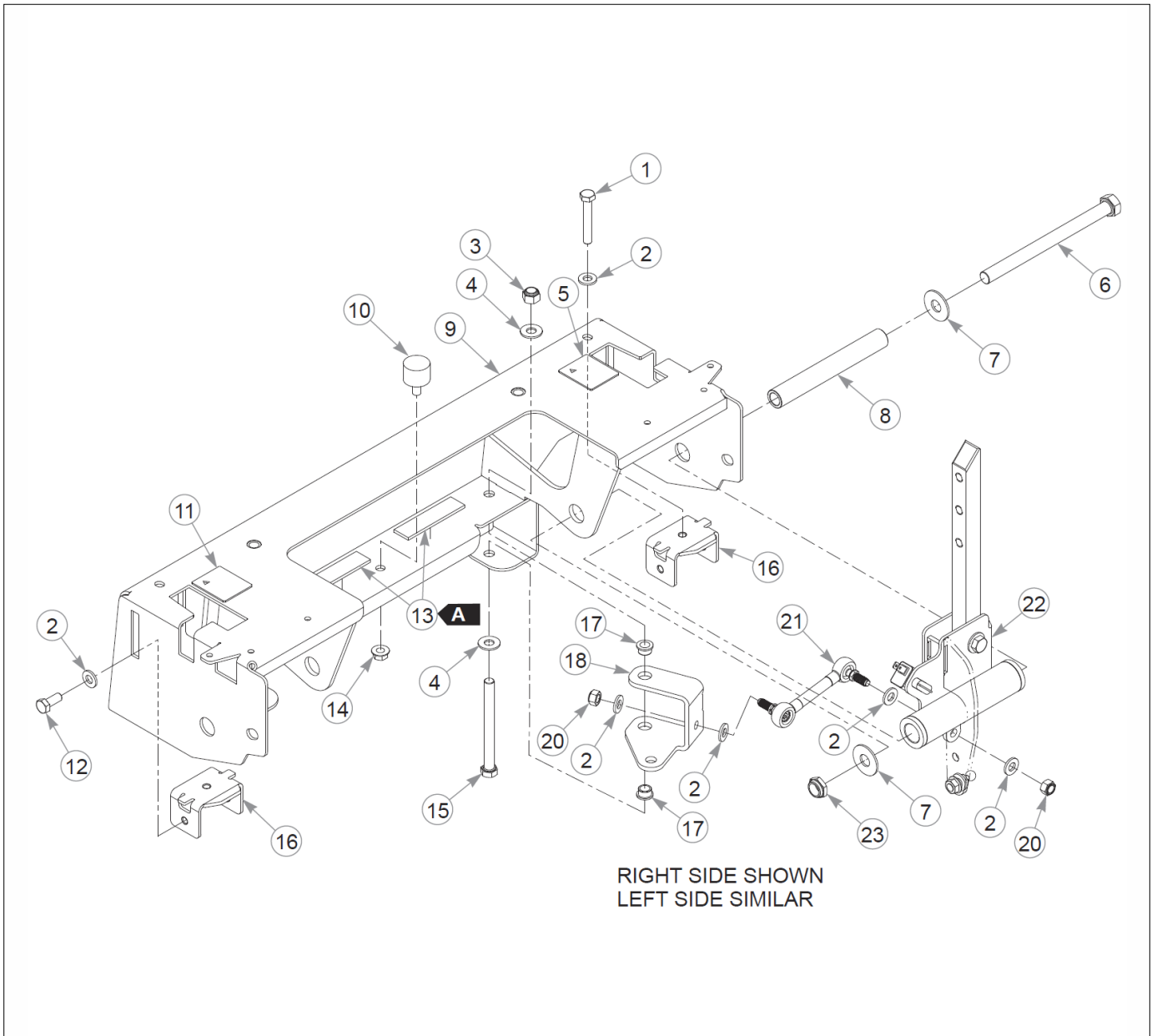


Comments for Page: Steering (Multi-Page)

jmumford@excelii.com on Feb 6, 2015

1. Part of the transmission.
2. The steering bars include the grips.

Transmissions & Steering



Elemento	Parte n.	Nome	Q.ta	Udm
1	064345	CS .312-18X2.000HXG5	2	EA
2	768523	FW 0.343SAE	12	EA
3	086660	NT .375-16NLG8	2	EA
4	767954	FW 0.379 x 0.813 x 0.063	4	EA
5	785220	DECAL, STEERING R.S.	1	EA
6	042630	CS .500-13X6.500HXG5	2	EA
7	704759	FW 0.500X1.250X0.075	4	EA
8	119811	SPACER, STEERING	2	EA
9	552852	STEERING BOX (W/DECALS)	1	EA
10	605542	ISOLATOR	1	EA
11	785139	DECAL, STEERING L.S.	1	EA
12	034280	CS .312-18X0.750HXG5	2	EA
13	033035	WEATHERSTRIP .12X.75	15 cm	FT
14	016832	NT .312-18FLKG5	1	EA
15	725796	CS .375-16X4.000HXG5	2	EA
16	605518	STOP, STEERING	2	EA
17	765339	BUSHING,IGUS#0608 (FS)	4	EA
18	124353-1	BRAKE BELL CRANK, RS	1	EA
19	124352-1	BRAKE BELL CRANK, LS	1	EA
20	058776	NT .312-18NLG5	4	EA
21	604179	BRAKE LINK	2	EA
22	N/A	STEERING BOX ASSEMBLY	1	EA
23	707398	NT .500-13 JAM NY LK	2	EA

Comments for Page: Steering Assembly

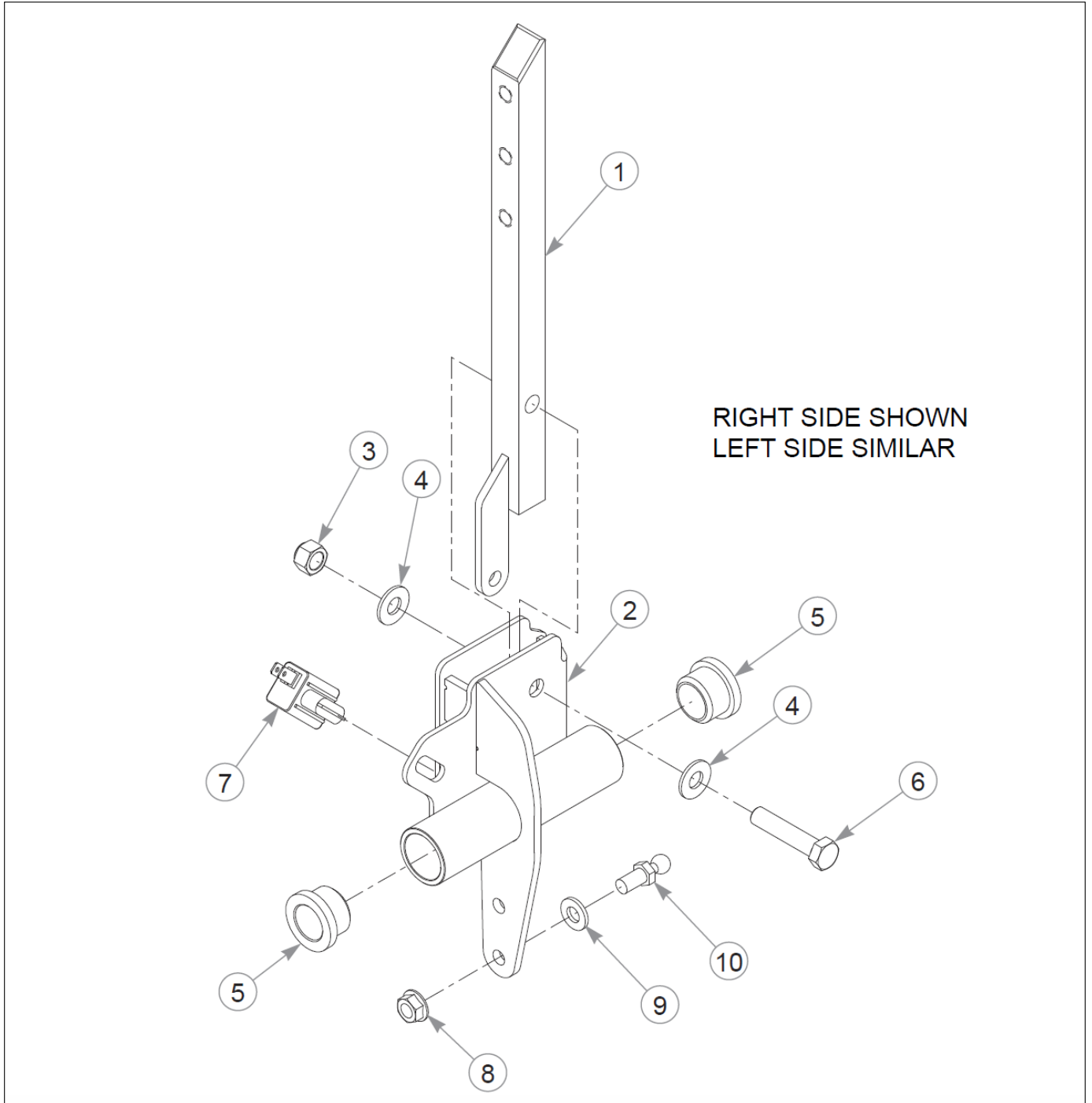
jmumford@excelii.com on Apr 8, 2016

WEATHERSTRIP LENGTH:

A: 7.5 cm

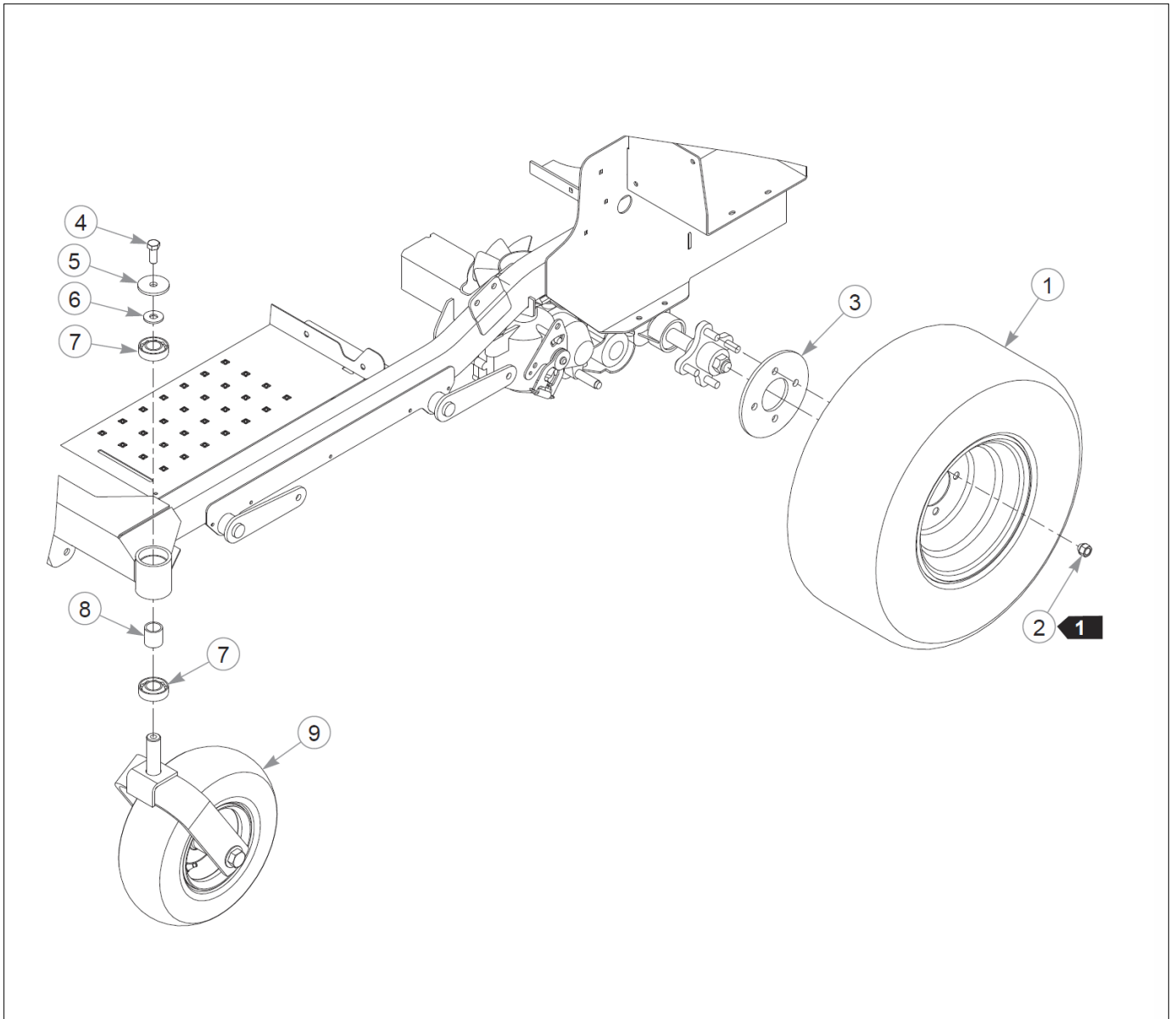
1. 552852 (steering cover) includes decals.

Transmissions & Steering



Elemento	Parte n.	Nome	Q.ta	Udm
1	119807	STEER LEVER W/A	1	EA
2	119750	STEER PIVOT W/A, RS	1	EA
Not Shown	119749	STEER PIVOT W/A, LS	1	EA
3	086660	NT .375-16NLG8	1	EA
4	767954	FW 0.379 x 0.813 x 0.063	2	EA
5	781153	BUSHING, UHMW	2	EA
6	705178	CS .375-16X1.750HXG5	1	EA
7	601087	SWITCH, PLUNGER N.O.	1	EA
8	016832	NT .312-18FLKG5	1	EA
9	768523	FW 0.343SAE	1	EA
10	781922	BALL STUD, DAMPER	1	EA

Wheels & Tires



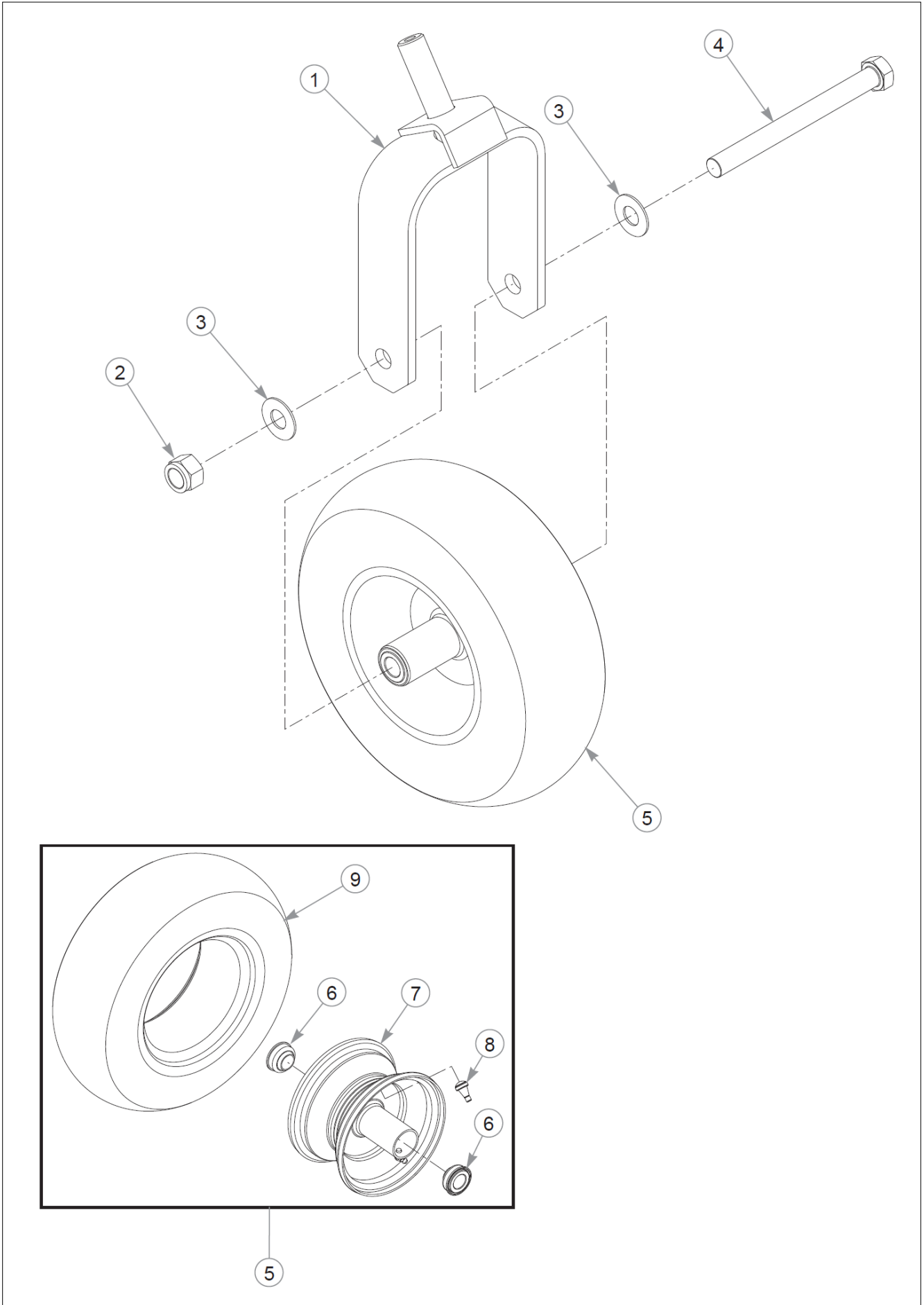
Elemento	Parte n.	Nome	Q.ta	Udm
1	605484	TIRE/WHEEL, 22X9.50-10	2	EA
2	061077	WHEEL NUT	8	EA
3	111875-1	BACKUP PLATE, WHEEL	2	EA
4	705954	CS .500-13X1.250HSG5	2	EA
5	344267	FW .510X 2.15X.187 SPL	2	EA
6	712976	FW 0.531X1.375X0.125	2	EA
7	784223	BEARING	4	EA
8	784603	SPACER	2	EA
9	N/A	FRONT TIRE ASSEMBLY	1	EA

Comments for Page: Wheel & Tire - 48" Mowers

jmumford@excelii.com on Mar 15, 2016

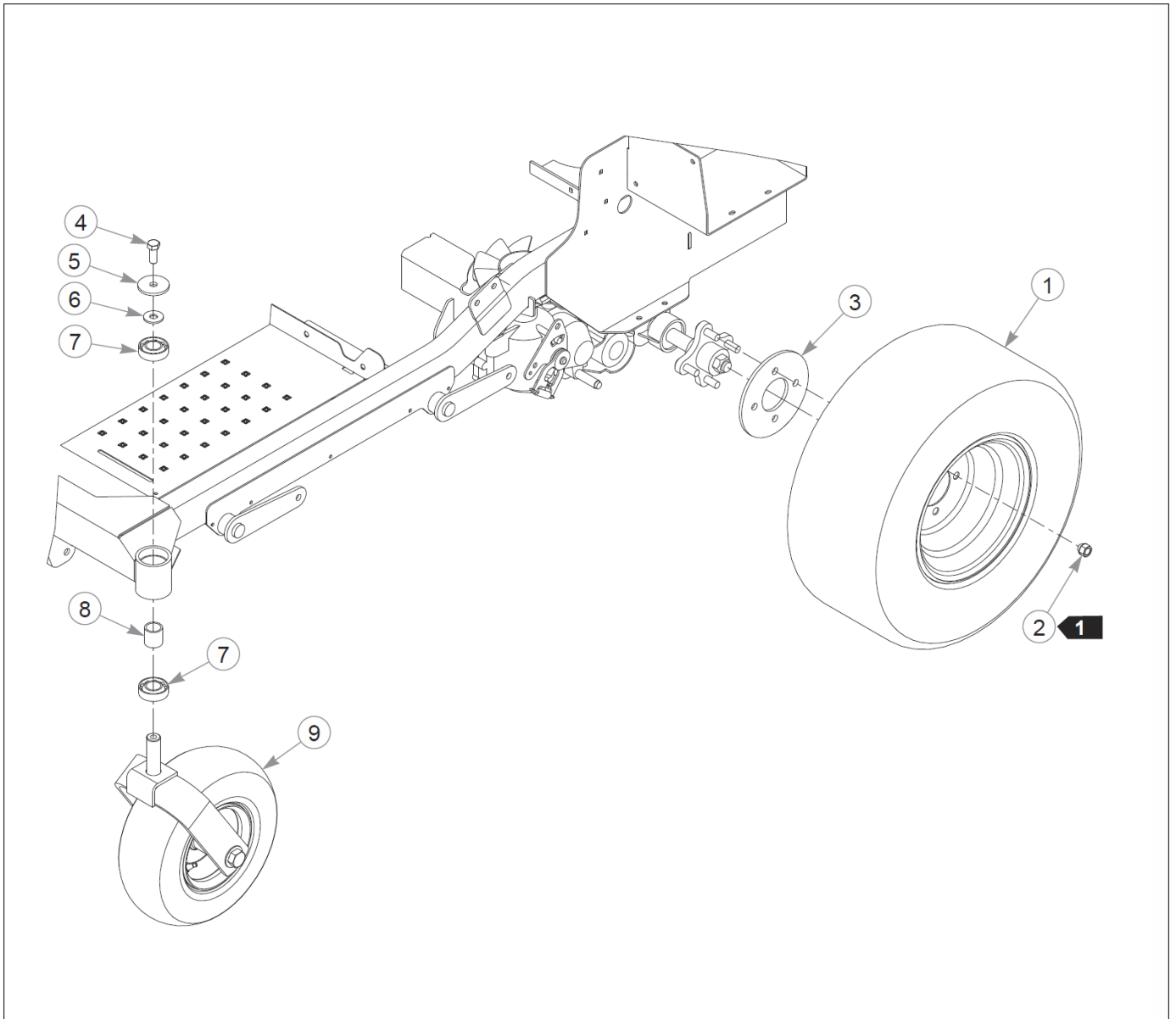
1. Torque to 88–102 N•m.

Wheels & Tires



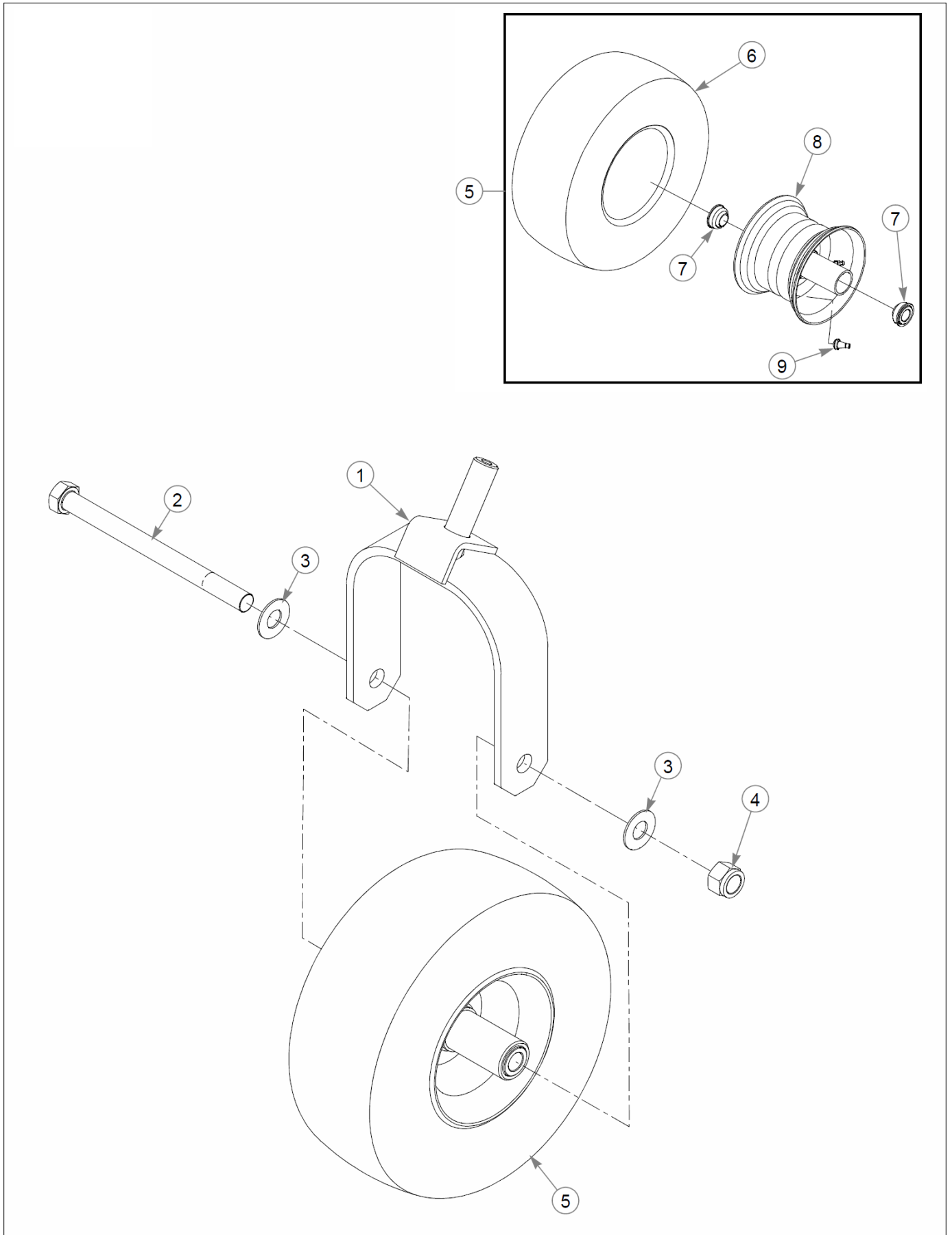
Elemento	Parte n.	Nome	Q.ta	Udm
1	366625	FORK W/A MINI Z	1	EA
2	061101	NT .750-10 HX ZY NL GR B	1	EA
3	025296	FW .760X1.625X0.080	2	EA
4	786731	CS .750-10X8.000HXG5	1	EA
5	605038	TIRE/WHEEL ASSY 13X5.00	1	EA
6	786103	WHEEL BEARING	2	EA
7	786079	WHEEL	1	EA
8	019521	TIRE VALVE TR-412 GOODY	1	EA
9	605039	TIRE 13X5.0-6 SMOOTH	1	EA
10	747402	TIRE 13x5-6 4PLY RIB TL	1	EA

Wheels & Tires



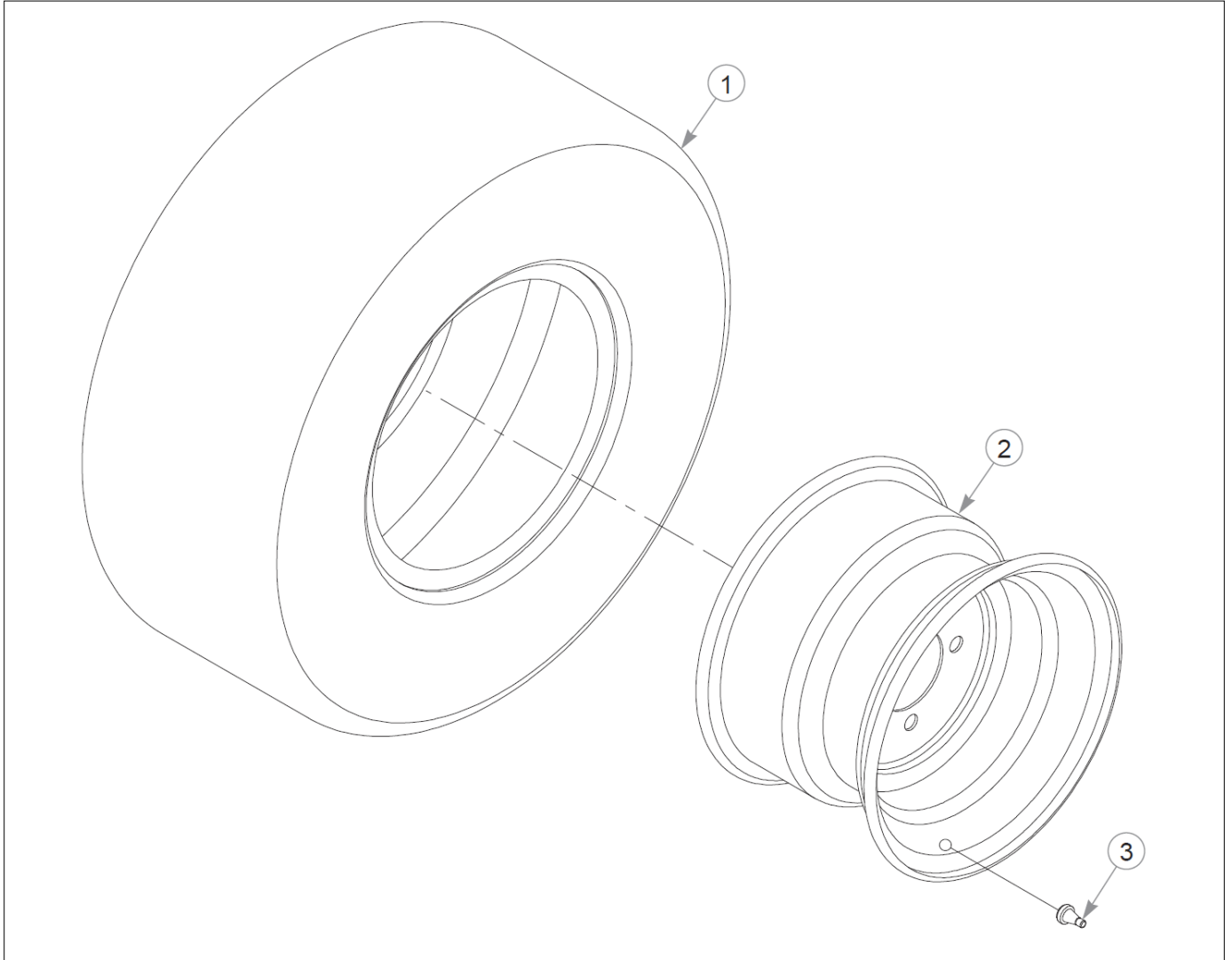
Elemento	Parte n.	Nome	Q.ta	Udm
1	605728	WHEEL/TIRE 23X11-10	2	EA
2	061077	WHEEL NUT	8	EA
3	111875-1	BACKUP PLATE, WHEEL	2	EA
4	705954	CS .500-13X1.250HSG5	2	EA
5	344267	FW .510X 2.15X.187 SPL	2	EA
6	712976	FW 0.531X1.375X0.125	2	EA
7	784223	BEARING	4	EA
8	784603	SPACER	2	EA
9	N/A	FRONT TIRE ASSEMBLY	1	EA

Wheels & Tires



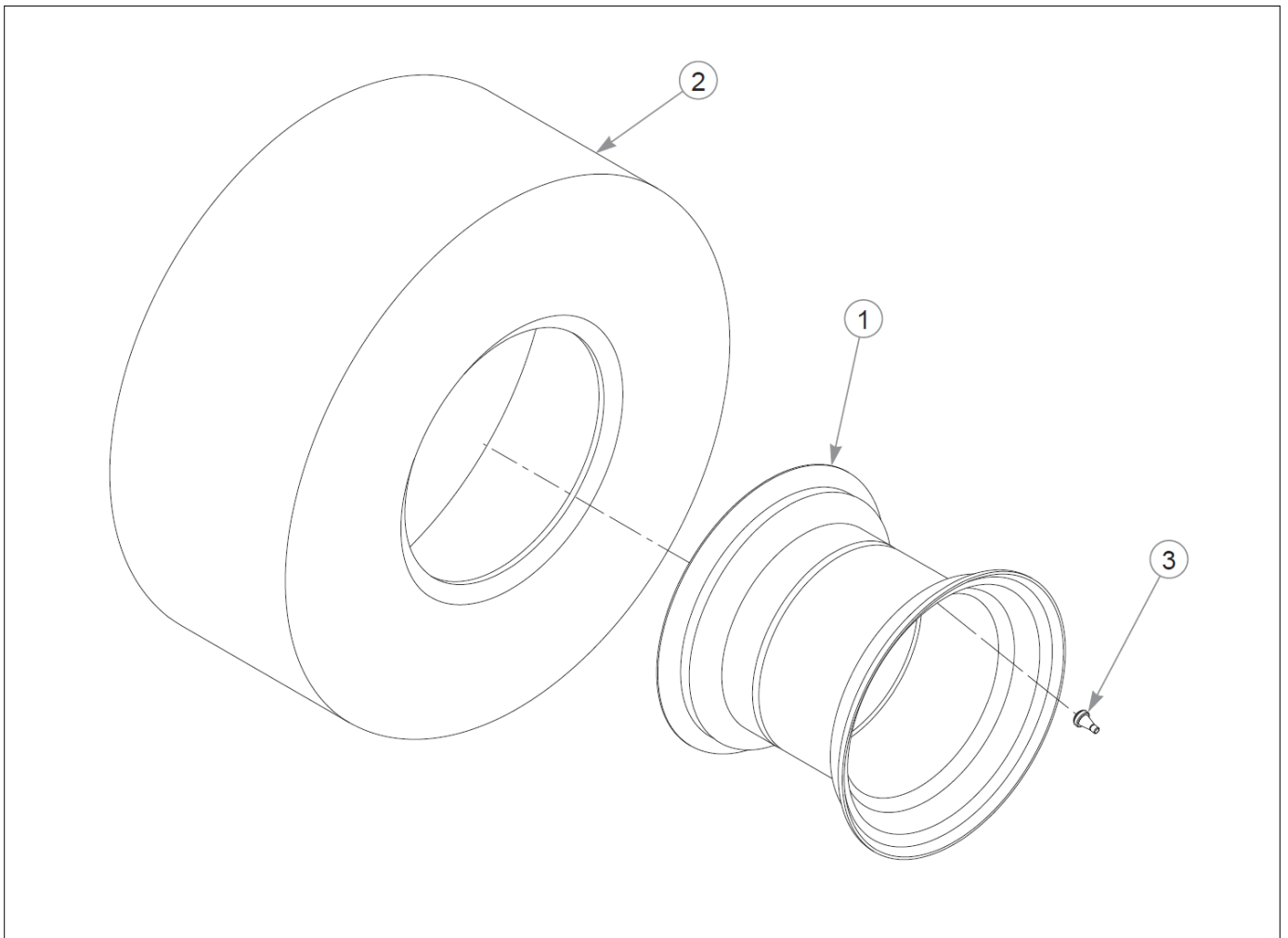
Elemento	Parte n.	Nome	Q.ta	Udm
1	604691	FORK W/A	1	EA
2	041475	CS .750-10X9.50 HXZY	1	EA
3	025296	FW .760X1.625X0.080	2	EA
4	061101	NT .750-10 HX ZY NL GR B	1	EA
5	605197	TIRE/WHEEL ASSY 13X6.50	1	EA
6	604843	TIRE 13X6.50-6 SMOOTH	1	EA
REF	747741	TIRE 13 X 6.50 RIBBED	1	EA
7	786103	WHEEL BEARING	2	EA
8	605198	WHEEL 6X4.5 MED DUTY	1	EA
9	019521	TIRE VALVE TR-412 GOODY	1	EA

Wheels & Tires



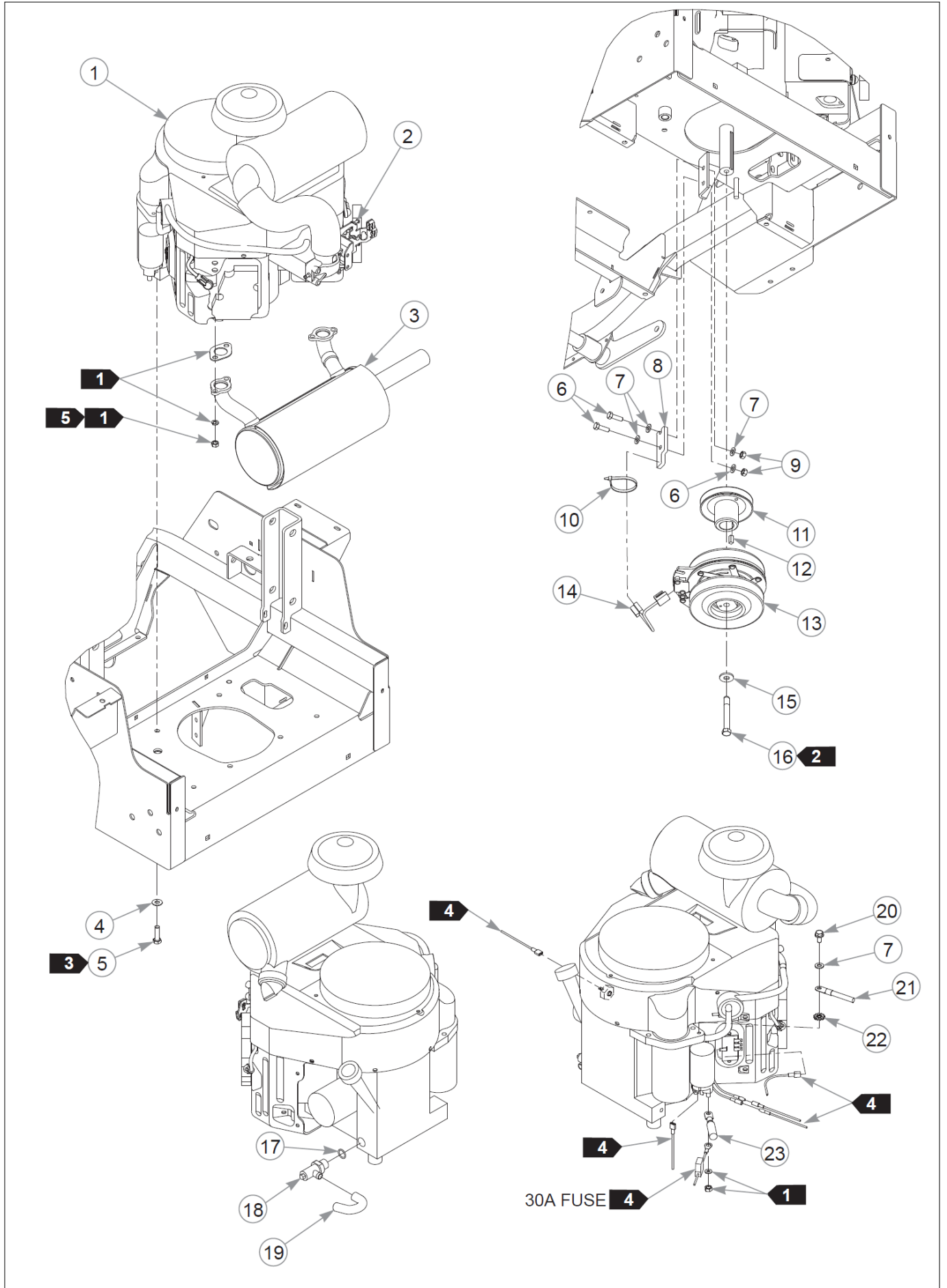
Elemento	Parte n.	Nome	Q.ta	Udm
1	605485	TIRE, 22X9.5-10 LITEFOOT	1	EA
2	600700	WHEEL 10X7 RIM, 4-4BC	1	EA
3	019521	TIRE VALVE TR-412 GOODY	1	EA

Wheels & Tires



Elemento	Parte n.	Nome	Q.ta	Udm
1	601347	WHEEL, 10X8.5 1.25OFFSET	1	EA
2	605727	TIRE, 23X11-10	1	EA
3	019521	TIRE VALVE TR-412 GOODY	1	EA

Engine & Fuel System



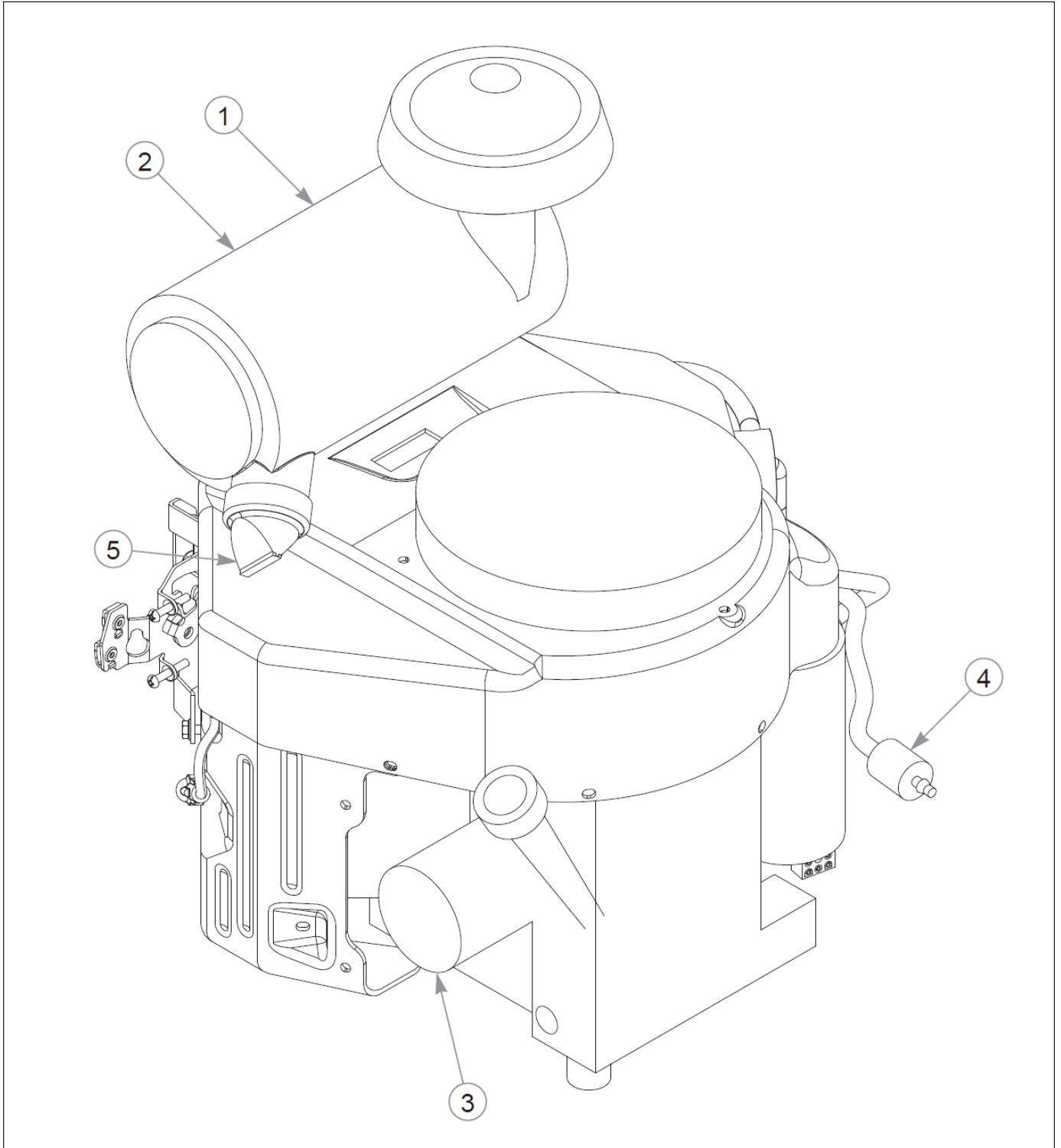
Elemento	Parte n.	Nome	Q.ta	Udm
1		KAWASAKI FX691V ENGINE	1	EA
Not Shown		KAWASAKI FX730V ENGINE	1	EA
2	603524	CS M5-0.8 X 50 MM	1	EA
3	604250	MUFFLER	1	EA
4	767954	FW 0.379 x 0.813 x 0.063	4	EA
5	602580	CS .375-16x1.25 HXG8 P85	4	EA
6	036236	CS .312-18X1.000HXG5	2	EA
7	768523	FW 0.343SAE	5	EA
8	113946	CLUTCH ANCHOR	1	EA
9	034272	NT .312-18HXG5	2	EA
10	000331	WIRE TIE, SMALL/SHORT	4	EA
11	605490	PULLEY, ENG 4.58OP	1	EA
12	712372	KEY 1/4 SQ X 0.66 LG(FS)	1	EA
13	121809K	CLUTCH KIT	1	EA
14	791251	HARNESS, CLUTCH PIGTAIL	1	EA
<p>Commenti per num parte 791251</p> <p>brian on Aug 28, 2015</p> <p>Pigtail was updated with epoxy to hold the wires steady. The wire sheath was also updated to a more flexible material.</p>				
15	602680	FW .453X 1.12X .119 HRD	1	EA
16	601834	CS .437-20X3.25 HXG5 P85	1	EA
17	604369	O-RING	1	EA
18	604350	VALVE, OIL DRAIN	1	EA
19	605317	HOSE, OIL DRAIN	1	EA
20	720516	CS M8-1.25X16HX FL10.9	1	EA
21	601841	BATTERY CABLE, NEG.	1	EA
22	029876	LW 0.312 INT-EXT	1	EA
23	785063	BATTERY CABLE, POSITIVE	1	EA

Comments for Page: Engine

jmumford@excelii.com on Mar 16, 2016

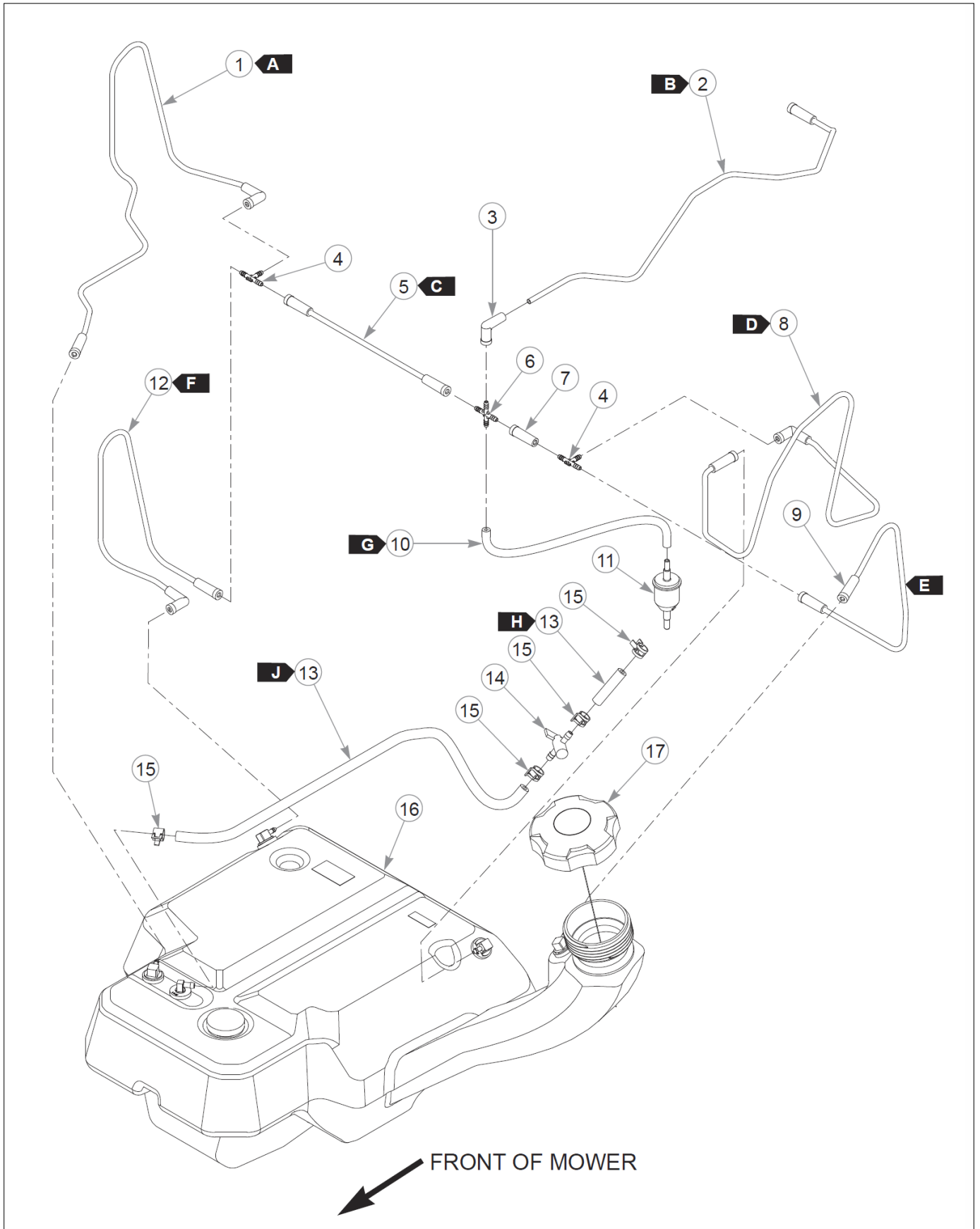
1. Supplied with the engine.2. Torque to 61–65 N•m.3. Torque to 41–47 N•m.4. Part of the wire harness.5. Torque to 23 N•m.

Engine & Fuel System

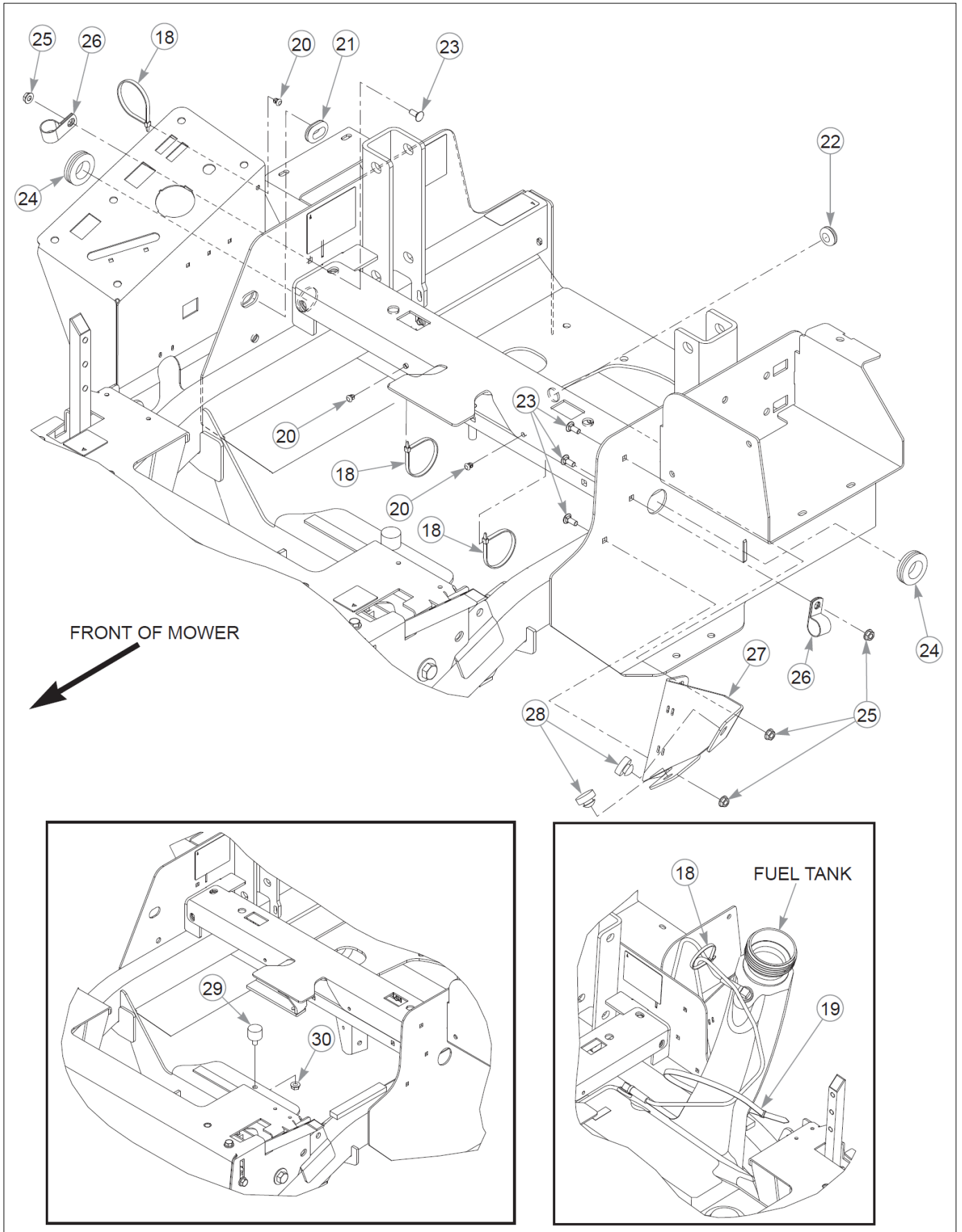


Elemento	Parte n.	Nome	Q.ta	Udm
1	785261	AIR FLTR ELEMENT - MAIN	1	EA
2	785279	AIR FLTR ELEMENT -SAFETY	1	EA
3	602581	OIL FILTER, KAW ENG.	1	EA
4	068478	FUEL FILTER IN-LINE	1	EA
5	763318	VALVE, VACUATOR (SERV P	1	EA

Engine & Fuel System



Elemento	Parte n.	Nome	Q.ta	Udm
1	605491	VAPOR LINE, 3/16 FORMED	1	EA
2	605493	VAPOR LINE, 3/16 FORMED	1	EA
3	605565	BOOT, 3/16 TO 3/16	1	EA
4	605690	TEE, 3/16" PLASTIC	2	EA
5	605535	VAPOR LINE, 3/16 FORMED	1	EA
6	605425	CROSS, 3/16" PLASTIC	1	EA
7	605564	BOOT, 3/16 TO 3/16	1	EA
8	605534	VAPOR LINE, 3/16 FORMED	1	EA
9	605492	VAPOR LINE, 3/16 FORMED	1	EA
10	603326	VAPOR LINE, 3/16"	29 cm	FT
11	604323	FILTER, VAPOR SYSTEM	1	EA
12	605533	VAPOR LINE, 3/16 FORMED	1	EA
13	015818	FUEL LINE, 1/4"	58 cm	IN
14	605601	FUEL SHUT-OFF VALVE	1	EA
15	000323	CLIP, HOSE CLAMP	4	EA
16	605432	FUEL TANK ASSEMBLY	1	EA
<p>Commenti per num parte 605432</p> <p>brian on Feb 11, 2015</p> <p>PLEASE NOTE: FUEL TANK HAS NO SERVICEABLE PARTS. MUST ORDER COMPLETE FUEL TANK.</p>				
17	603807	CAP, 3.5" RATCHETING GAS	1	EA
18	000331	WIRE TIE, SMALL/SHORT	8	EA
19	602725	WIRE TIE,	1	EA
20	604307	MOUNT, PUSH BUTTON	3	EA
21	047456	GM .750X.188X1.00X.12	1	EA
22	080358	GM .50X1.00X.75X.12	1	EA
23	601503	CB .250-20 X .625 ZNYC	4	EA
24	706531	GM 1.12X1.75X1.37X.12	2	EA
25	016816	NT .250-20FLKG5	4	EA
26	043570	CLIP - HOSE - SINGLE(FS)	2	EA
27	124348-3	TANK NECK SUPPORT	1	EA



Elemento	Parte n.	Nome	Q.ta	Udm
28	781880	BUMPER, .500x 1.00x .31	2	EA
29	605542	ISOLATOR	1	EA
30	016832	NT .312-18FLKG5	1	EA
31	000430	WIRE TIE, SMALL/LONG	1	EA

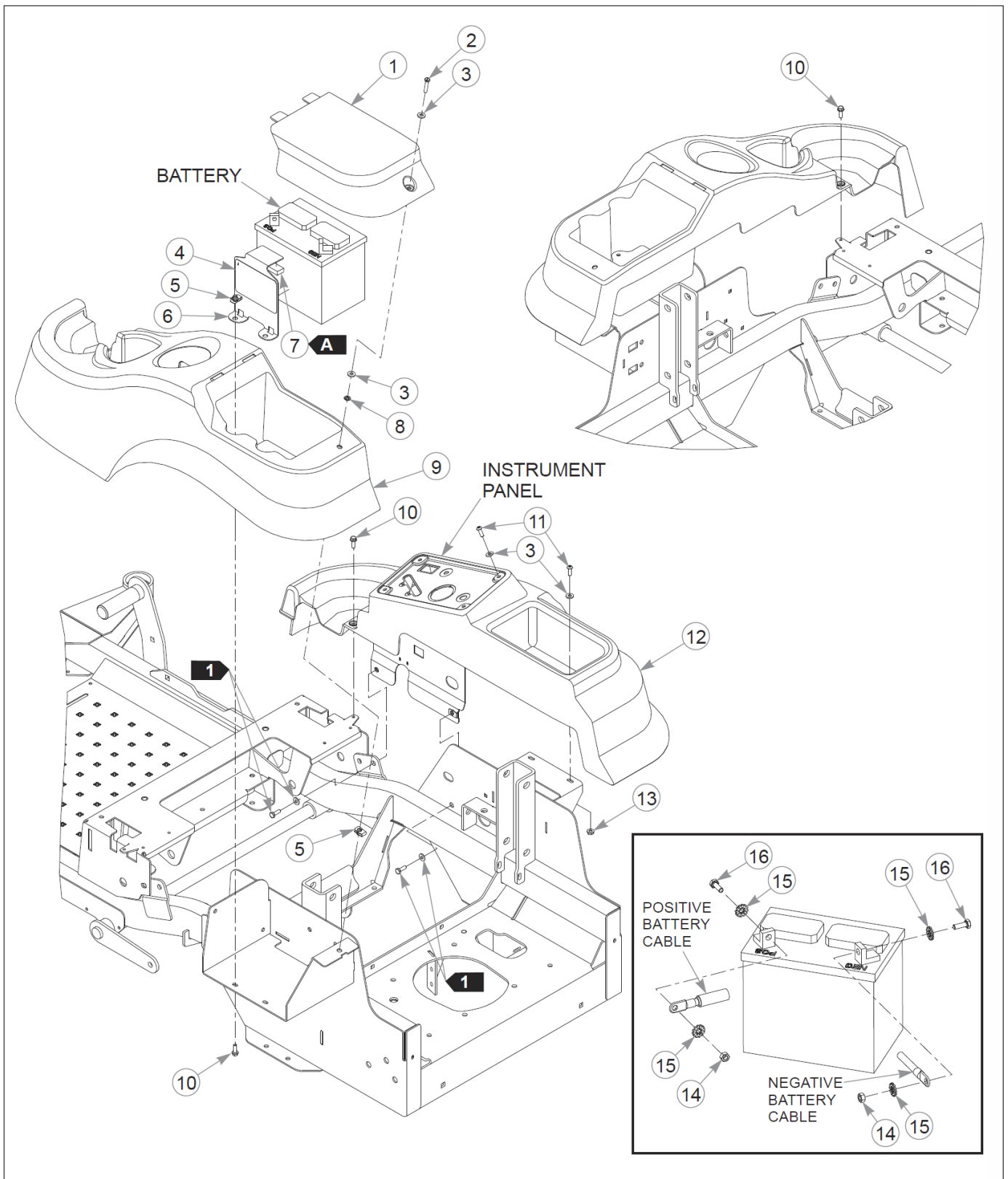
Comments for Page: Fuel System (Multi-Page)

jmumford@excelii.com on Apr 8, 2016

FUEL & VAPOR LINE LENGTHS

- A— FRONT RIGHT SIDE PORT TO TEE (VAPOR)
- B— ENGINE TO CROSS (VAPOR)
- C— TEE TO CROSS (VAPOR)
- D— LEFT BACK PORT TO TEE (VAPOR)
- E— FILLER NECK PORT TO TEE (VAPOR)
- F— RIGHT BACK PORT TO TEE (VAPOR)
- G—29 cm CROSS TO FILTER (VAPOR)
- H—5 cm —VALVE TO ENGINE (FUEL)
- J—53 cm— TANK TO VALVE (FUEL)

Electrical, Fenders & Instrument Panel



Elemento	Parte n.	Nome	Q.ta	Udm
1	605558	FENDER LID	1	EA
2	605627	CS .250-20 X 1.25 HX	1	EA
3	605628	FW 0.281 X 0.625 X 0.066	8	EA
4	601815	DECAL, BATTERY WARNINGS	1	EA
5	601982	CN .250-20X .150 MAX THK	3	EA
6	124355-1	BATTERY HOLD DOWN	1	EA
7	713198	SEAL 3/8x3/4 SOLD BY FT	6 cm	FT
8	605629	UNTHREADED PN 0.250 ID	1	EA
9	605522	LH FENDER	1	EA
10	604324	CS .250-20 X .75 HX FLG	4	EA
11	605473	CS .25-20 BH TX BZ	6	EA
12	605521	RH FENDER	1	EA
13	016816	NT .250-20FLKG5	2	EA
14	024927	NT .250-20HXG5	2	EA
15	029868	LW0.250INTEXT	4	EA
16	055939	CS .250-20X0.750HXG5	2	EA

Comments for Page: Battery & Fenders

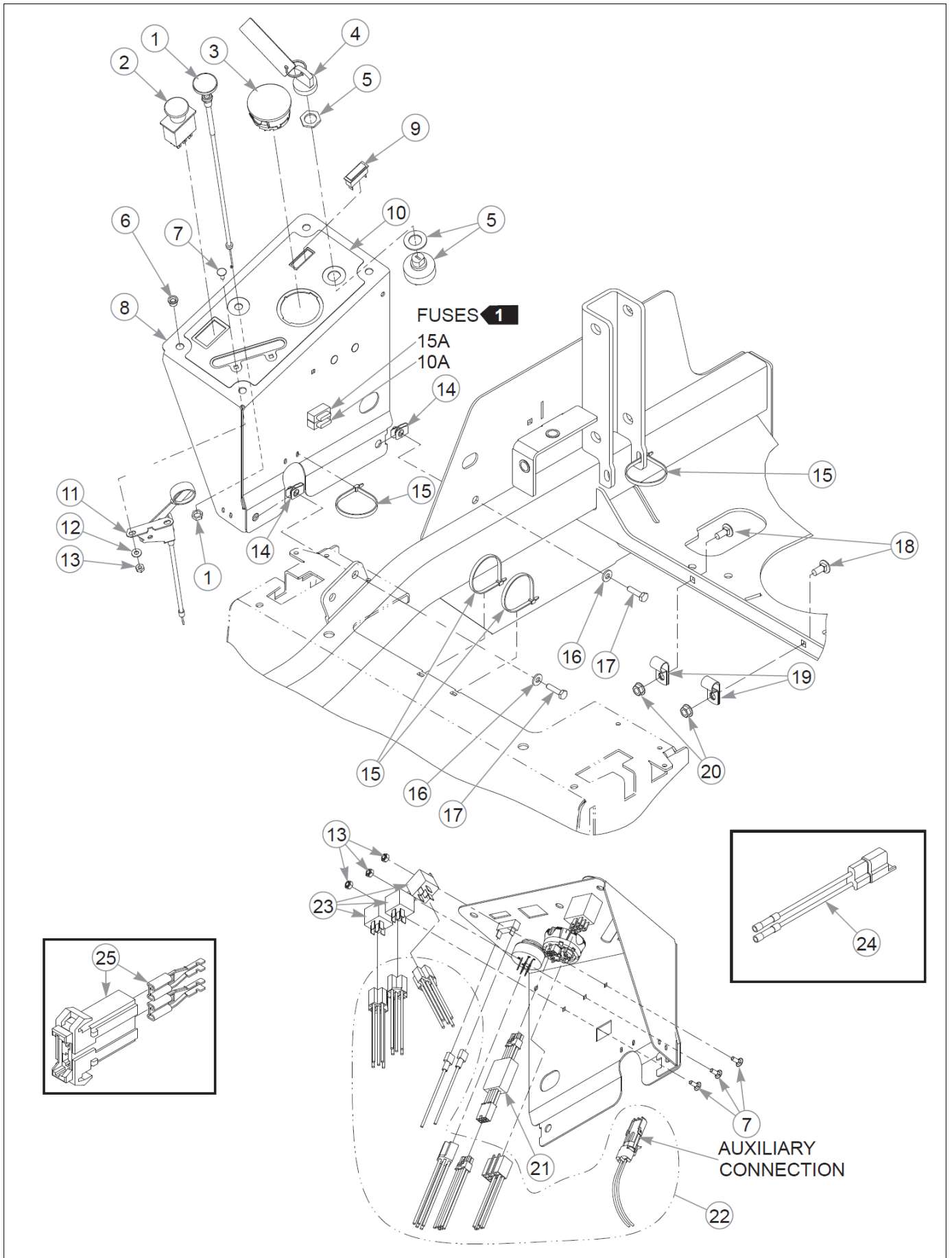
jmumford@excelii.com on Apr 8, 2016

SEAL LENGTH:

A: 6 cm

1. Part of the instrument panel assembly.
2. When performing service on the mower, disconnect the negative battery cable (black) and do not reconnect it to the battery until ready to start the engine.
3. 552858 (battery hold down) includes the seal.

Electrical, Fenders & Instrument Panel



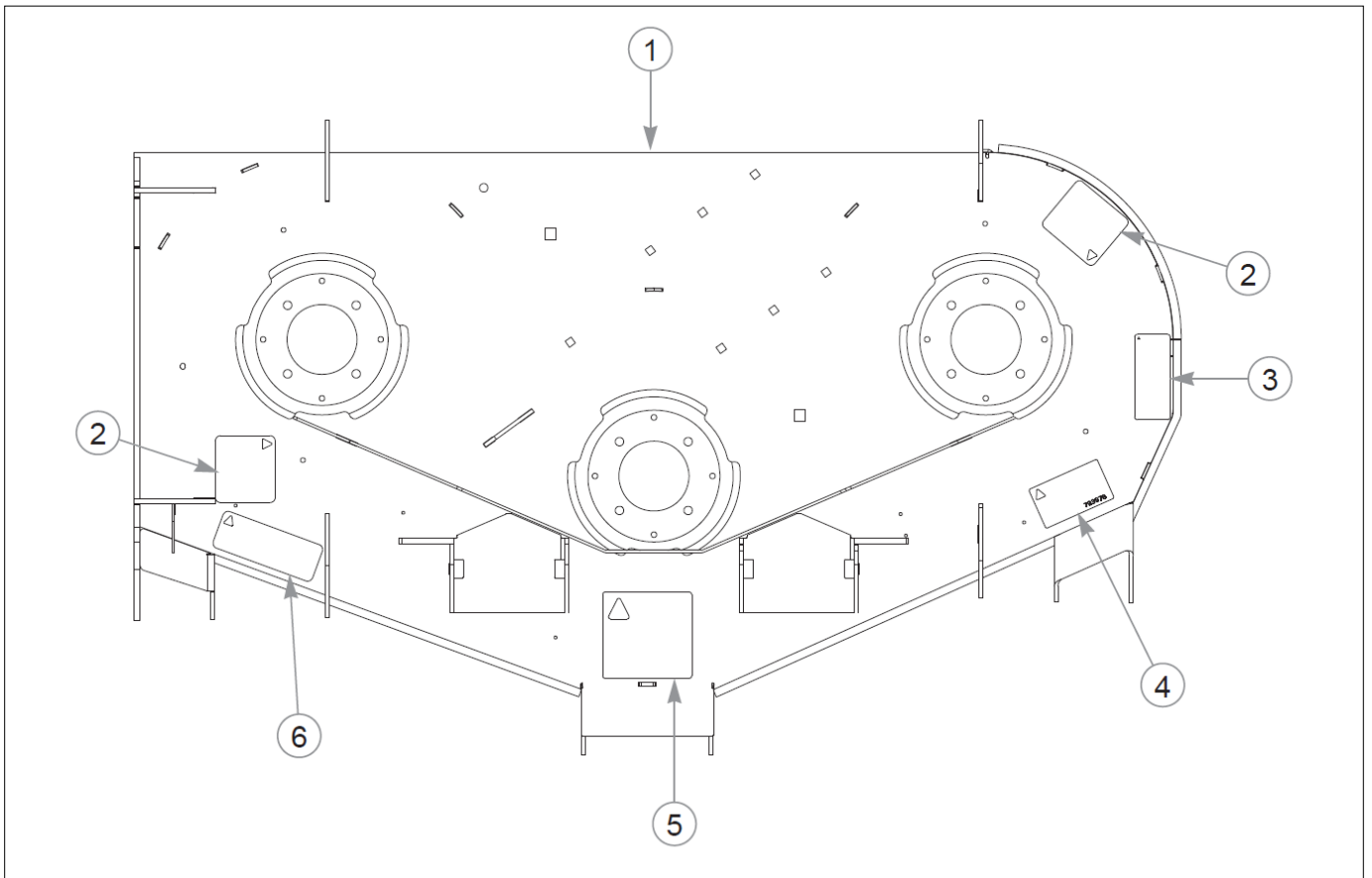
Elemento	Parte n.	Nome	Q.ta	Udm
1	786657	CABLE, CHOKE	1	EA
2	776476	SWITCH, PTO 6201-321	1	EA
3	605483	GAUGE, FUEL/HOURMETER	1	EA
4	785808	KEY ASSEMBLY	1	EA
5	045898	IGNITION SWITCH	1	EA
6	808477	RIVET NUT, 1/4-20 THREA	4	EA
7	601098	CB 10-24 X .500 ZYNC	5	EA
8	552855	INSTR PANEL (W/ DECAL)	1	EA
9	712257	INDICATOR LIGHT, RED(FS)	1	EA
10	605605	DECAL, INST PANEL	1	EA
11	778365	CABLE, THROTTLE	1	EA
12	704932	FW 0.219X0.500X0.048	2	EA
13	059832	NT #10-24 HX NL ZN	5	EA
14	601982	CN .250-20X .150 MAX THK	2	EA
15	000331	WIRE TIE, SMALL/SHORT	6	EA
16	768515	FW 0.281SAE	2	EA
17	056077	CS .250-20X1.000HXG5	2	EA
18	016253	CB .312-18X .750 FUL ZN	2	EA
19	000398	CLAMP	2	EA
20	016832	NT .312-18FLKG5	2	EA
21	605554	WIRE HARNESS ADAPTER	1	EA
22	605458	WIRE HARNESS, FSD/SMP	1	EA
23	601053	RELAY, SEALED W/BACKET	2	EA
24	114052	KIT, CLUTCH CONN. REP.	1	EA
25	601047	HOLDER, FUSE	1	EA

Comments for Page: Instrument Panel

jmumford@excelii.com on Feb 21, 2017

1. Part of the wire harness.
2. The instrument panel includes the decal (605605).
3. The sealed relay includes a bracket.

Deck



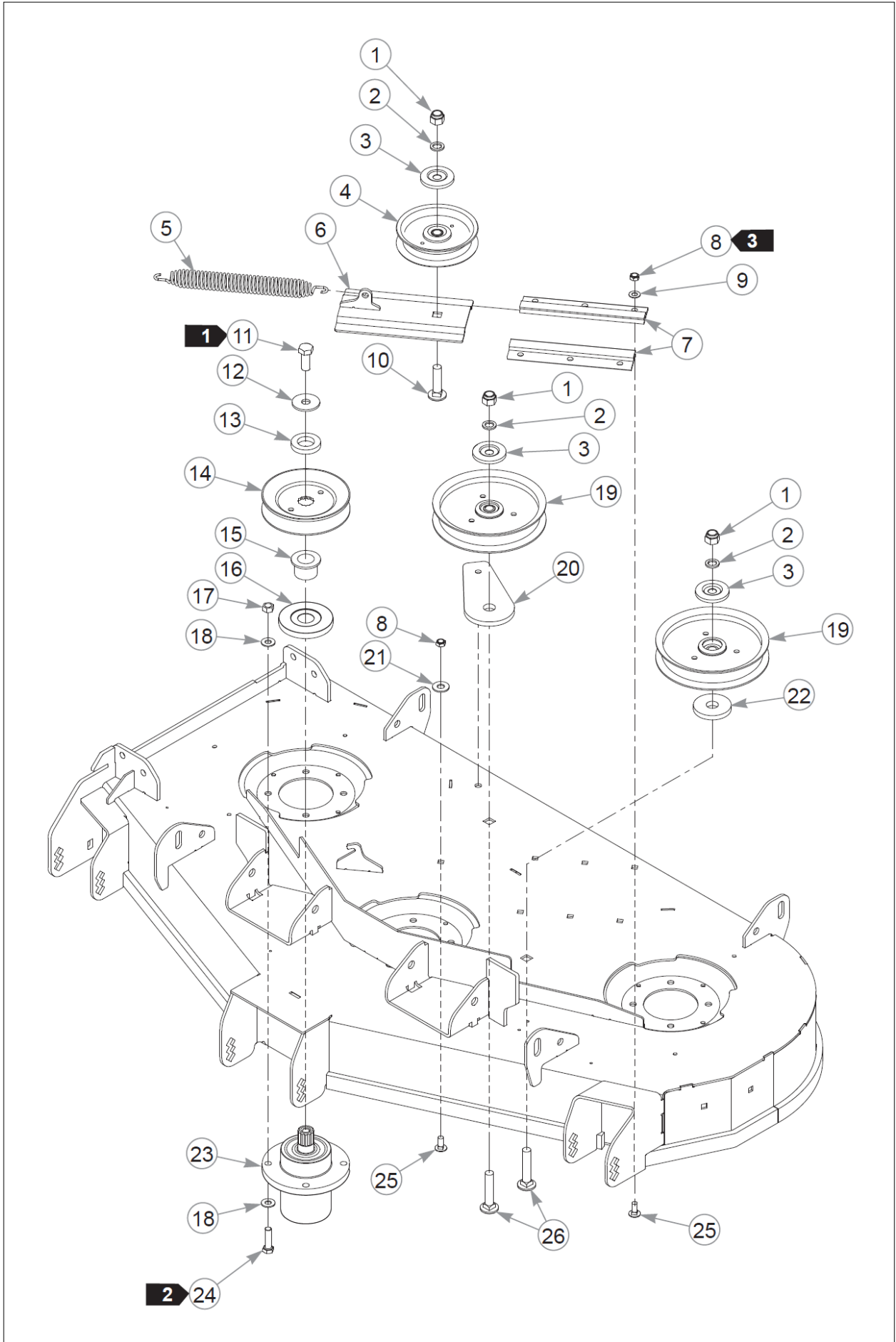
Elemento	Parte n.	Nome	Q.ta	Udm
1	552872	SVC DECK DECAL 48" FST	1	EA
2	601837	DECAL, DECK DANGERS	2	EA
3	601892	DECAL, THROWN OBJECTS	1	EA
4	793976	DECAL,48"DECK ID	1	EA
5	781419	DECAL, BELT ROUTING	1	EA
6	601624	DECAL, DISCHARGE CHUTE	1	EA

Comments for Page: 48" Side Discharge Service Deck

jmumford@excelii.com on Oct 5, 2016

1. The deck includes the decals.

Deck



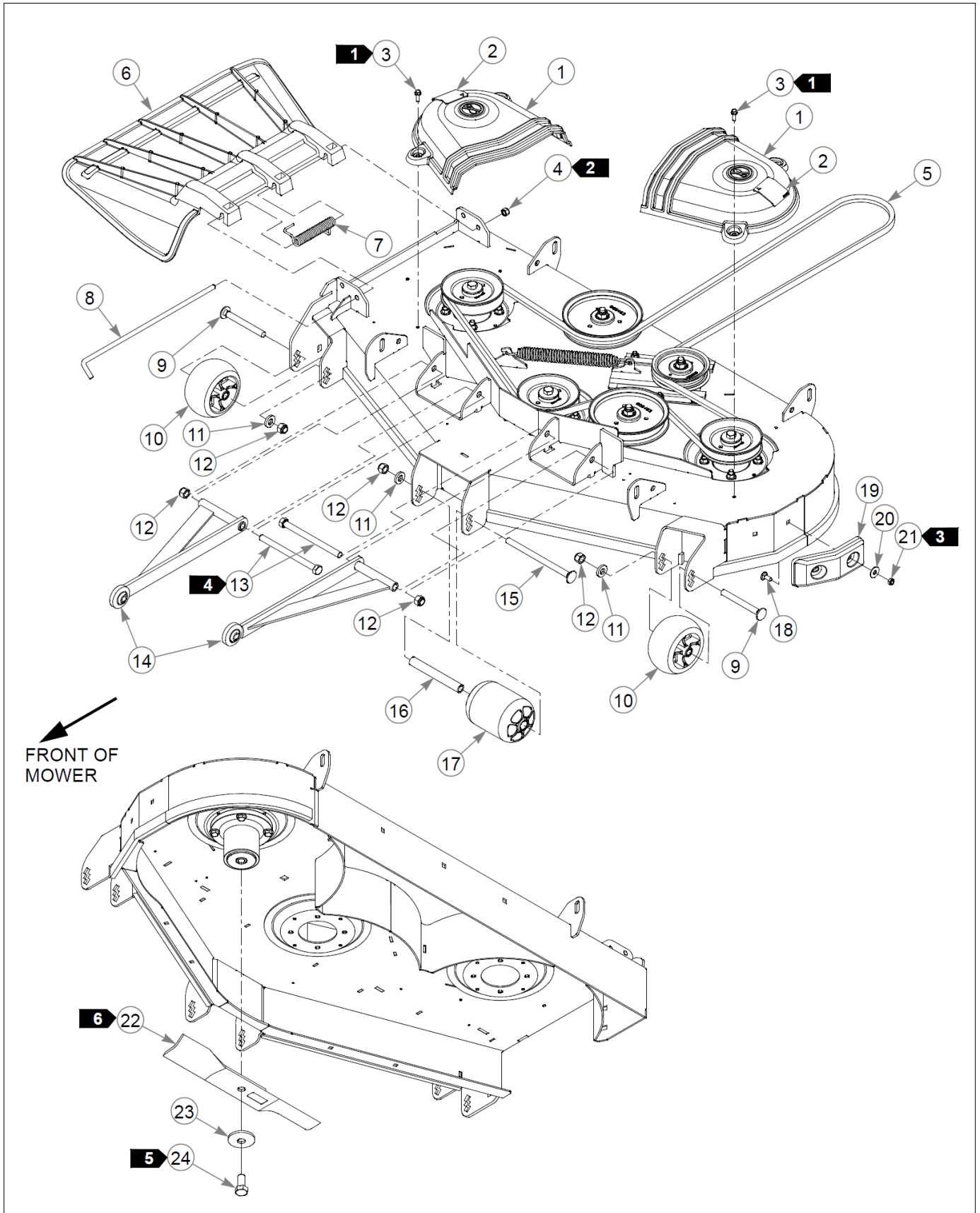
Elemento	Parte n.	Nome	Q.ta	Udm
1	781567	NT .500-13NLG5	3	EA
2	604486	FW .531X.812X.089 HD	3	EA
3	605467	DUST SHIELD	3	EA
4	605512	4" IDLER PULLEY	1	EA
5	122388	SPRING	1	EA
6	121052	SLED, TENSIONER	1	EA
7	604790	IDLER SLIDE, EXTRUDED	2	EA
8	604251	NT .312-18 HXNL JAM G2ZN	7	EA
9	604252	FW .340 X .675 X .035 ZN	6	EA
10	604253	CB .50-13 X 2.00 STD ZN	1	EA
11	705954	CS .500-13X1.250HSG5	3	EA
12	798603	FW .515X1.65X.125 HD ZY	3	EA
13	604777	SPINDLE SPACER	3	EA
14	604665	PULLEY, DECK DRIVE B-SEC	3	EA
15	605504	SPACER, PULLEY	3	EA
16	606362	DUST SHIELD	3	EA
17	054502	NT .375-16HXG5	12	EA
18	767954	FW 0.379 x 0.813 x 0.063	24	EA
19	605463	6.00" IDLER PULLEY	2	EA
20	605465	BASE, IDLER PULLEY MOUNT	1	EA
21	017129	FW .440X1.000X0.083	1	EA
22	605508	FW, 0.73 X 2.25 X 0.312	1	EA
23	605380	SPINDLE ASSY, 12PT	3	EA
24	005116	CS .375-16X1.375	12	EA
25	016253	CB .312-18X .750 FUL ZN	7	EA
26	604254	CB .50-13 X 2.50 STD ZN	2	EA

Comments for Page: 48" Side Discharge Deck Pulleys & Spindles

jmumford@excelii.com on Mar 15, 2016

1. Torque to 99 N•m.
2. Torque to 41 N•m.
3. Torque to 4–8 N•m.

Deck



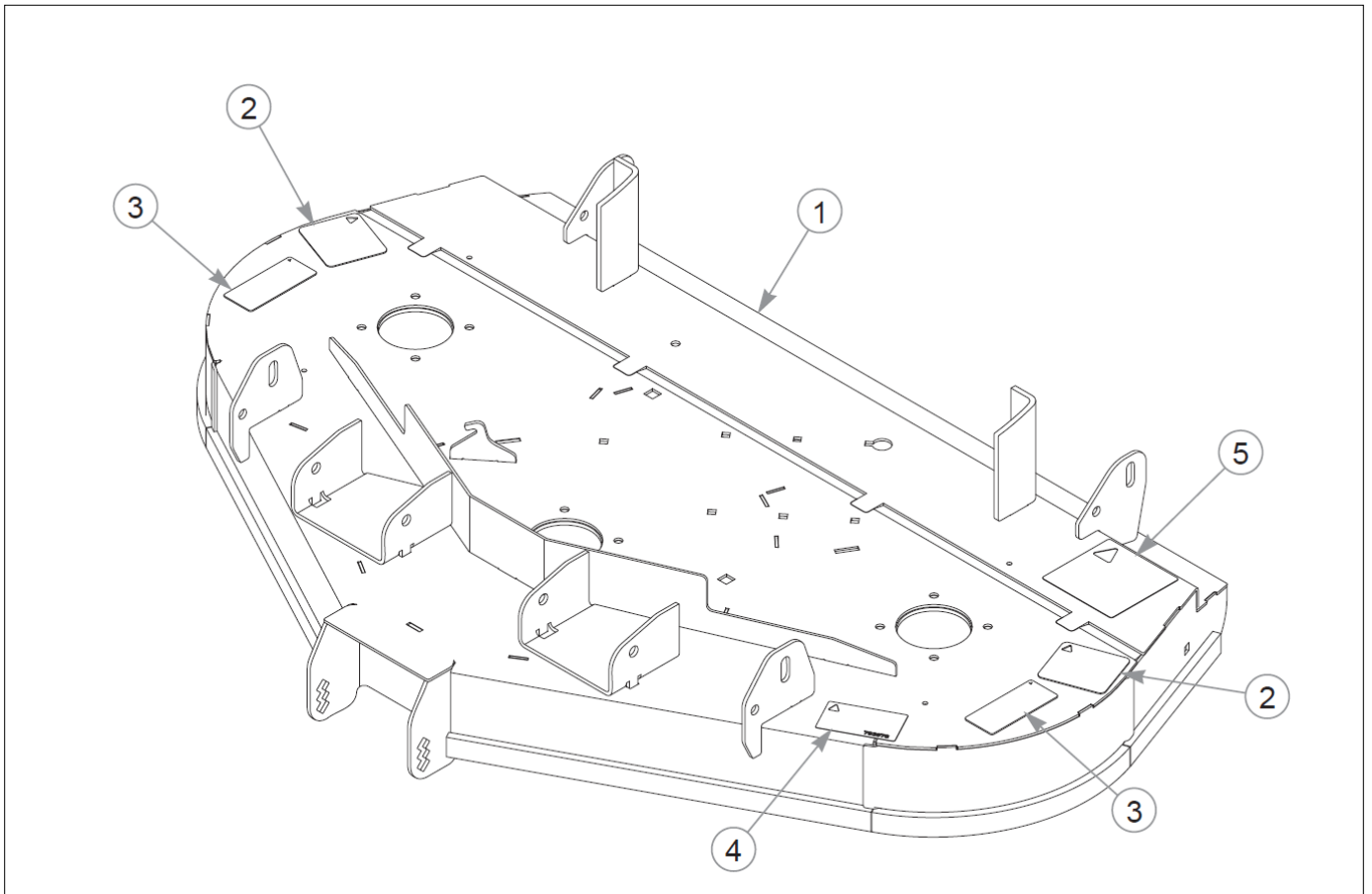
Elemento	Parte n.	Nome	Q.ta	Udm
1	553531	SVC PULLEY COVER,	2	EA
2	602562	DECAL, NO SERVICE	2	EA
3	604324	CS .250-20 X .75 HX FLG	4	EA
4	086660	NT .375-16NLG8	1	EA
5	791335	BELT, B 143" EL	1	EA
6	605469	DISCHARGE CHUTE	1	EA
7	602435	SPRING, TORSION	1	EA
8	602432	PIN, CHUTE	1	EA
9	602339	CB .50-13 X 4.50 STD ZN	2	EA
10	604780	WHEEL, ANTI-SCALP	2	EA
11	767962	FW .531 x 1.063 x .175	3	EA
12	781567	NT .500-13NLG5	5	EA
13	042630	CS .500-13X6.500HXG5	2	EA
14	113717	PULLER W/A 14.53" C/C	2	EA
15	602338	CB .50-13 X 7.50 STD ZN	1	EA
16	602344	SPACER, ANTI- SCALP 5.73	1	EA
17	602341	WHEEL, ANTI-SCALP	1	EA
18	016253	CB .312-18X .750 FUL ZN	2	EA
19	605376	DECK BUMPER	1	EA
20	079210	FW 0.344X1.000X0.060	2	EA
21	604251	NT .312-18 HXNL JAM G2ZN	2	EA
22	606252	BLADE, 16.5"-H-F-CW	3	EA
Not Shown	601014	BLADE, F16.50"-L-F-CW	3	EA
Not Shown	601123	BLADE, 16.50"-L-F-CW	3	EA
Not Shown	796631	BLADE, 16.50"-GAT-F-CW	3	EA
Not Shown	796623	BLADE, 16.50"-MUL-F-CW	3	EA
23	782474	CW .678 X 2.250 X .187	3	EA
24	781872	CS .625-11X1.250HXG5	3	EA

Comments for Page: 48" Side Discharge Deck

jmumford@excelii.com on Mar 16, 2016

1. Torque to 2.7–6.8 N•m on these self-tapping screws.
2. Do not torque; the discharge chute must pivot freely.
3. Torque to 4–8 N•m.
4. Torque to 5–9 N•m.
5. Torque to 160 N•m.
6. These blades are approved for use with Catcher 606045:
606252 BLADE, 16.5"-H-F-CW
601123 BLADE, 16.50"-L-F-CW
796631 BLADE, 16.50"-GAT-F-CW
796623 BLADE, 16.50"-MUL-F-CW
7. The pulley cover includes the decal.

Deck



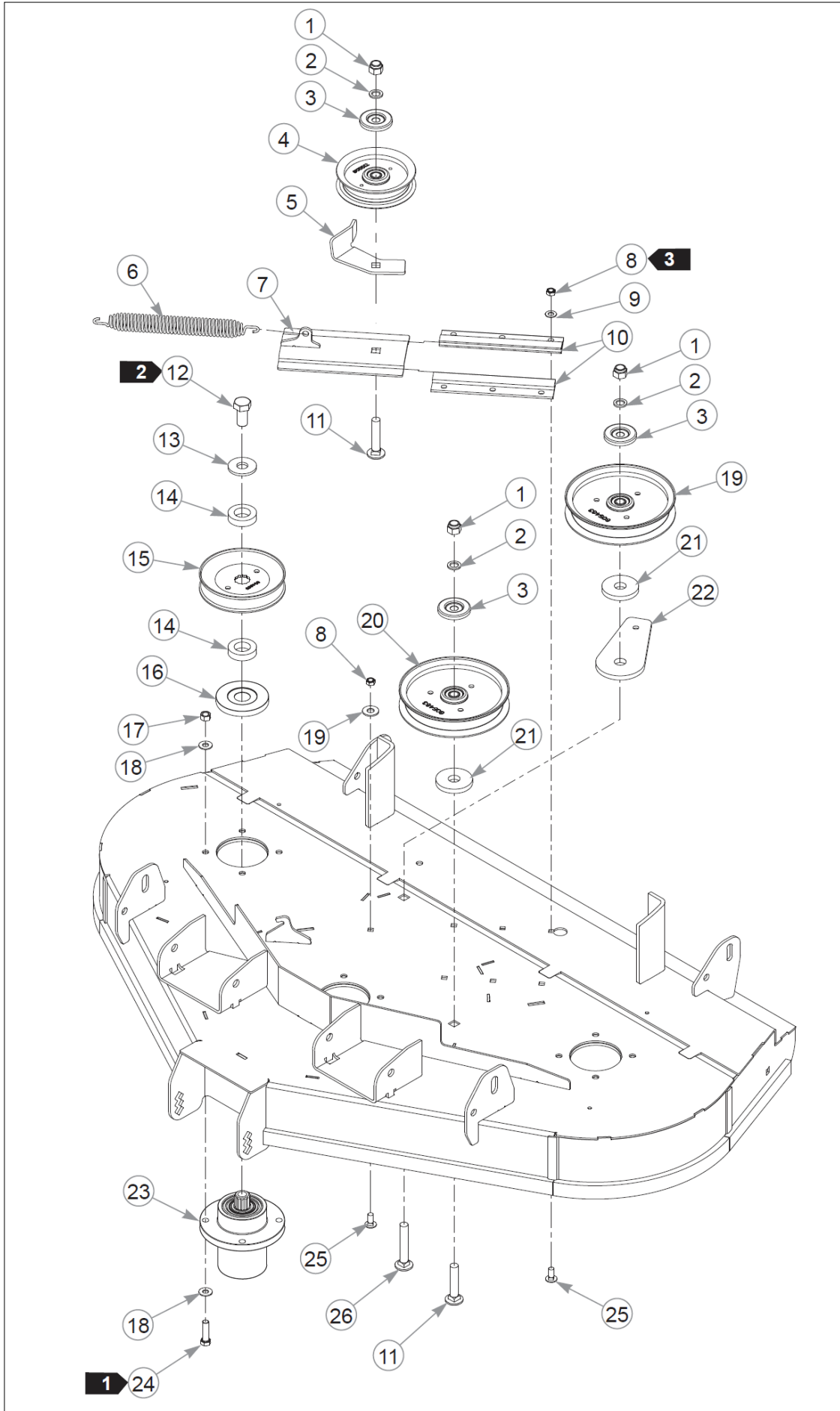
Elemento	Parte n.	Nome	Q.ta	Udm
1	553017	SVC, DECK DECAL	1	EA
2	601837	DECAL, DECK DANGERS	2	EA
3	601892	DECAL, THROWN OBJECTS	2	EA
4	793976	DECAL,48"DECK ID	1	EA
5	781419	DECAL, BELT ROUTING	1	EA

Comments for Page: 48" Rear Discharge Service Deck

jmumford@excelii.com on Apr 7, 2016

1. The deck includes the decals.

Deck



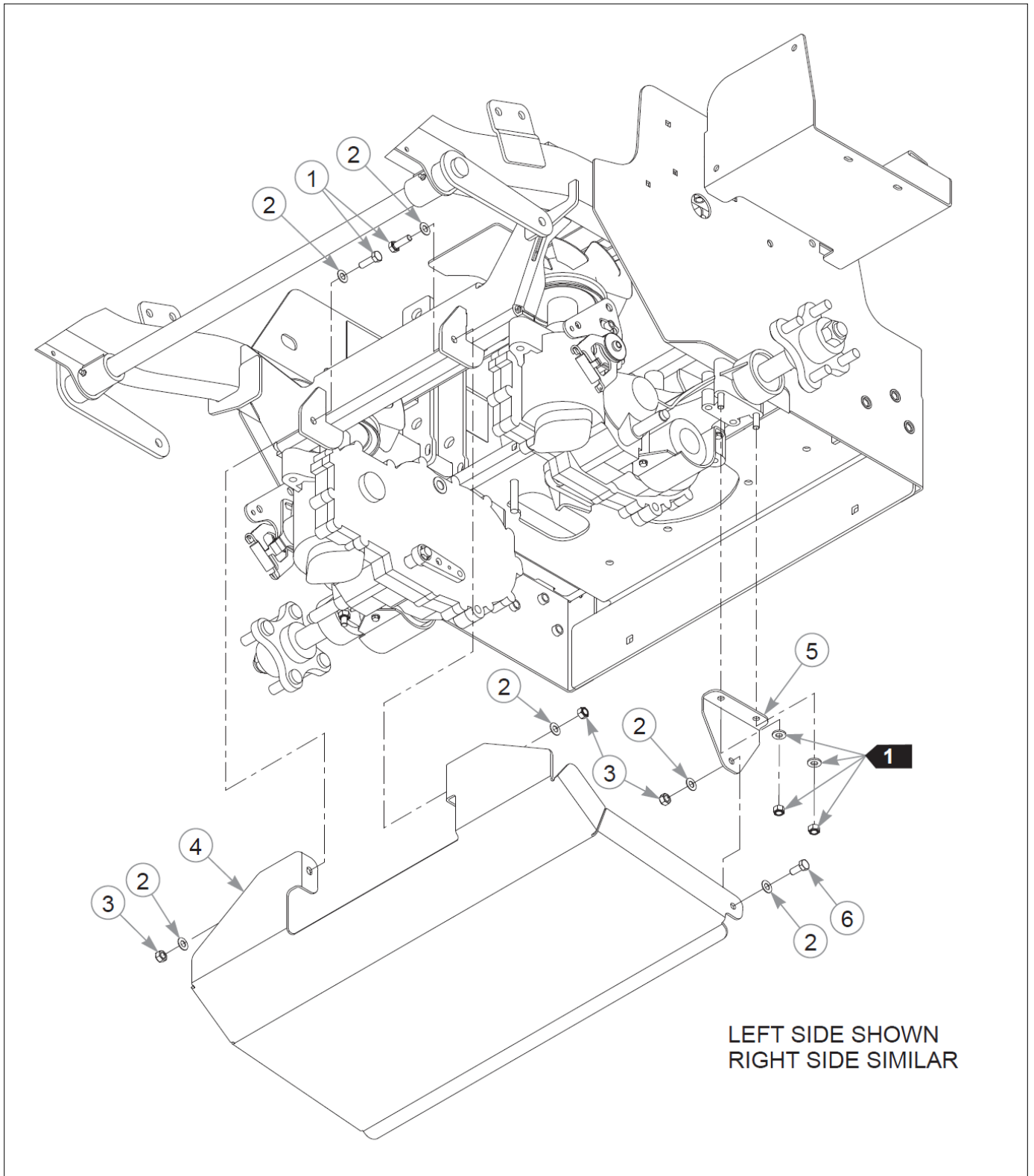
Elemento	Parte n.	Nome	Q.ta	Udm
1	781567	NT .500-13NLG5	3	EA
2	604486	FW .531X.812X.089 HD	3	EA
3	605467	DUST SHIELD	3	EA
4	605512	4" IDLER PULLEY	1	EA
5	124488-4	BELT GUIDE	1	EA
6	122388	SPRING	1	EA
7	121052	SLED, TENSIONER	1	EA
8	604251	NT .312-18 HXNL JAM G2ZN	7	EA
9	604252	FW .340 X .675 X .035 ZN	6	EA
10	604790	IDLER SLIDE, EXTRUDED	2	EA
11	604254	CB .50-13 X 2.50 STD ZN	2	EA
12	781872	CS .625-11X1.250HXG5	3	EA
13	017152	FW 0.688X1.750X0.160HD	3	EA
14	604661	SPACER, SPINDLE PULLEY	6	EA
15	604665	PULLEY, DECK DRIVE B-SEC	3	EA
16	606362	DUST SHIELD	1	EA
17	054502	NT .375-16HXG5	12	EA
18	767954	FW 0.379 x 0.813 x 0.063	24	EA
19	017129	FW .440X1.000X0.083	1	EA
20	605463	6.00" IDLER PULLEY	2	EA
21	605508	FW, 0.73 X 2.25 X 0.312	2	EA
22	605465	BASE, IDLER PULLEY MOUNT	1	EA
23	783506	BLADE SPINDLE ASSEMBLY	3	EA
24	005116	CS .375-16X1.375	12	EA
25	016253	CB .312-18X .750 FUL ZN	7	EA
26	021980	CB .500-13X 3.000 STD Z	1	EA

Comments for Page: 48" Rear Discharge Deck Pulleys & Spindles

jmumford@excelii.com on Oct 4, 2016

1. Torque to 41 N•m.
2. Torque to 160 N•m.
3. Torque to 4–8 N•m.

Deck



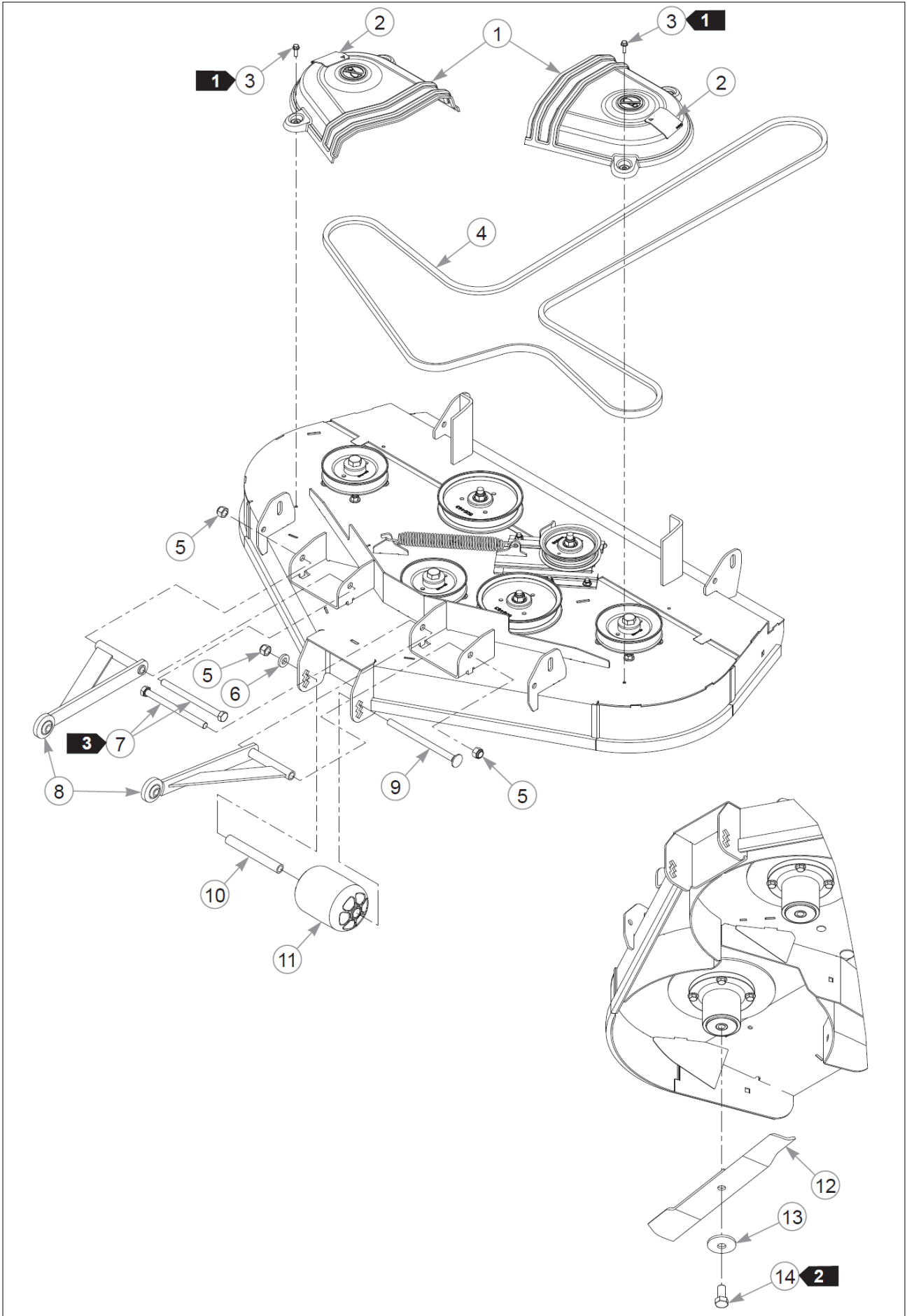
Elemento	Parte n.	Nome	Q.ta	Udm
1	036236	CS .312-18X1.000HXG5	2	EA
2	604252	FW .340 X .675 X .035 ZN	8	EA
3	058776	NT .312-18NLG5	4	EA
4	122256	SHIELD, REAR DISCHARGE	1	EA
5	122297	BRACKET, SHIELD MOUNT	2	EA
6	034280	CS .312-18X0.750HXG5	2	EA

Comments for Page: 48" Rear Discharge Debris Shield

jmumford@excelii.com on Oct 5, 2016

1. Part of the transmission assembly.

Deck



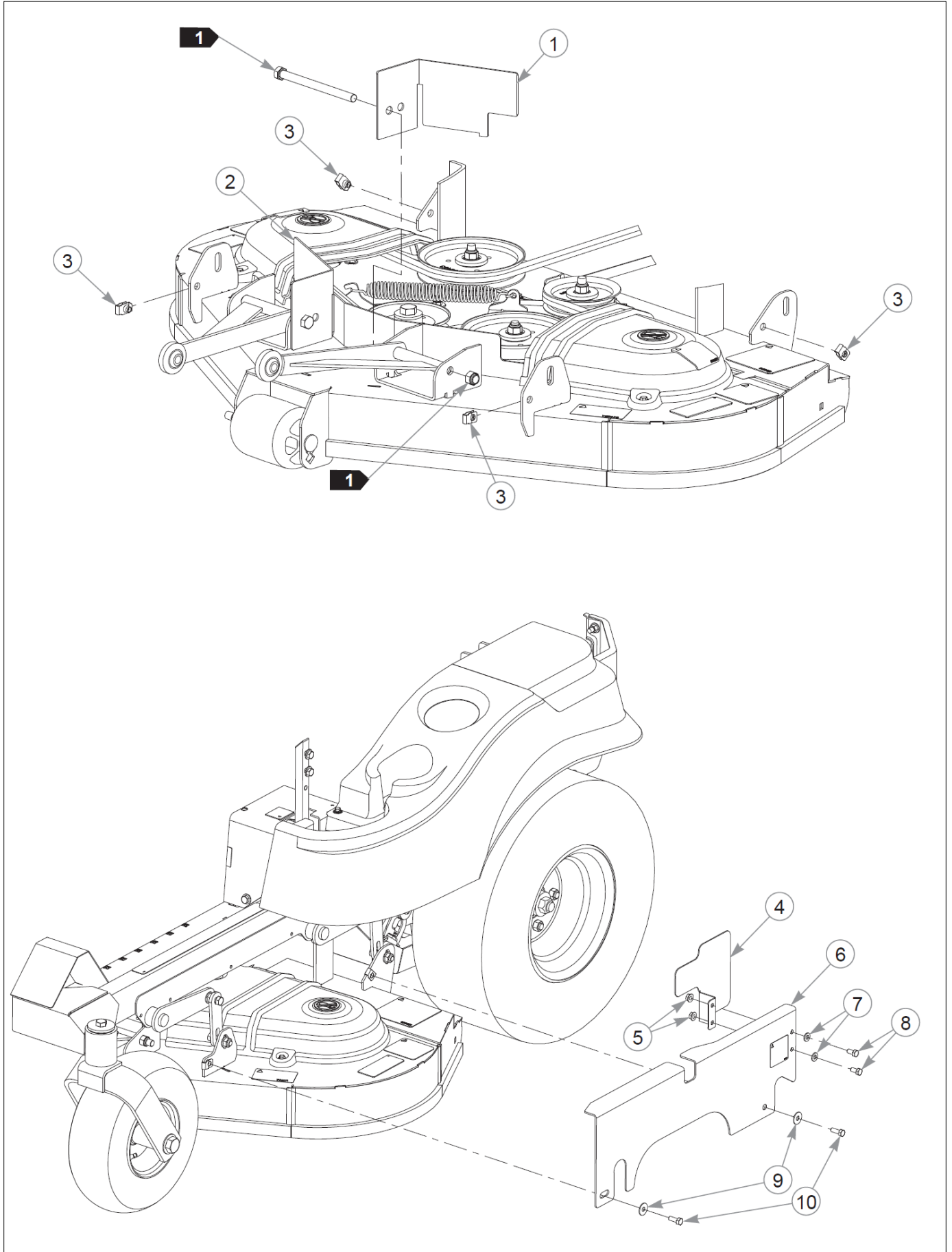
Elemento	Parte n.	Nome	Q.ta	Udm
1	553531	SVC PULLEY COVER,	2	EA
2	602562	DECAL, NO SERVICE	2	EA
3	604324	CS .250-20 X .75 HX FLG	4	EA
4	605507	BELT, B-SECTION	1	EA
5	781567	NT .500-13NLG5	3	EA
6	767962	FW .531 x 1.063 x .175	1	EA
7	042630	CS .500-13X6.500HXG5	2	EA
8	109434	PULLER, W/A 10.9" C/C	2	EA
9	602338	CB .50-13 X 7.50 STD ZN	1	EA
10	602344	SPACER, ANTI- SCALP 5.73	1	EA
11	602341	WHEEL, ANTI-SCALP	1	EA
12	601123	BLADE, 16.50"-L-F-CW	3	EA
Not Shown	601014	BLADE, F16.50"-L-F-CW	3	EA
Not Shown	796623	BLADE, 16.50"-MUL-F-CW	3	EA
Not Shown	796631	BLADE, 16.50"-GAT-F-CW	3	EA
13	782474	CW .678 X 2.250 X .187	3	EA
14	781872	CS .625-11X1.250HXG5	3	EA

Comments for Page: 48" Rear Discharge Deck

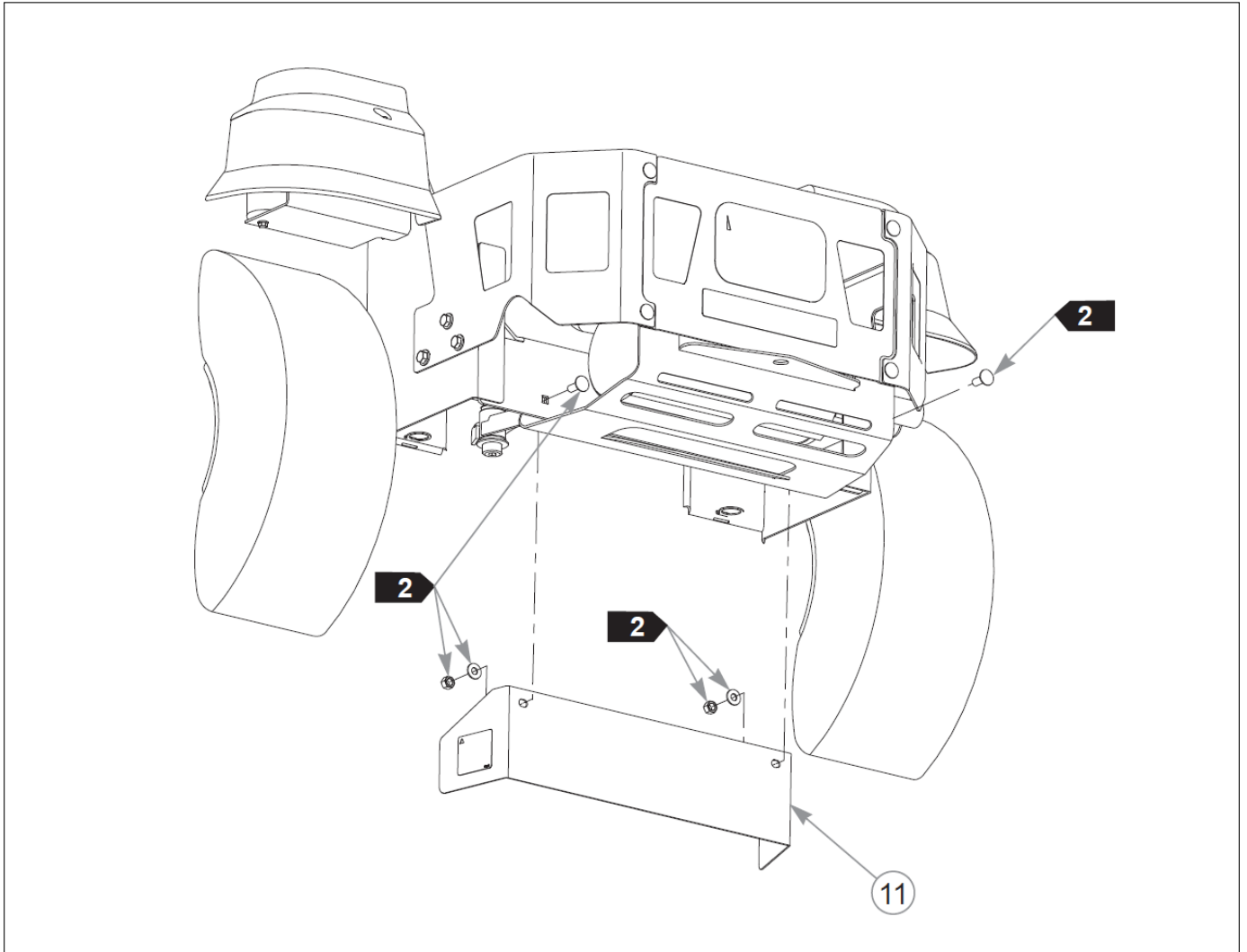
jmumford@excelii.com on Oct 4, 2016

1. Torque to 2.7–6.8 N•m on these self-tapping screws.
2. Torque to 160 N•m.
3. Tighten to 5.4–9.5 N•m to remove play on the cap screw.

Deck



Elemento	Parte n.	Nome	Q.ta	Udm
1	122774	CE GUARD, FRONT LS	1	EA
2	122775	CE GUARD, FRONT RS	1	EA
3	601069	CN .312-18x.200 MAX THK	4	EA
4	122753	CE GUARD EXT LS	1	EA
5	016832	NT .312-18FLKG5	4	EA
6	553545	SVC GUARD, RS	1	EA
Not Shown	553544	SVC GUARD, LS	1	EA
7	079210	FW 0.344X1.000X0.060	4	EA
8	064006	CS .312-18X0.625HXG5	4	EA
9	768523	FW 0.343SAE	4	EA
10	064014	CS .312-18X0.875HXG5	4	EA
11	553032	SVC GUARD, CLUTCH	1	EA

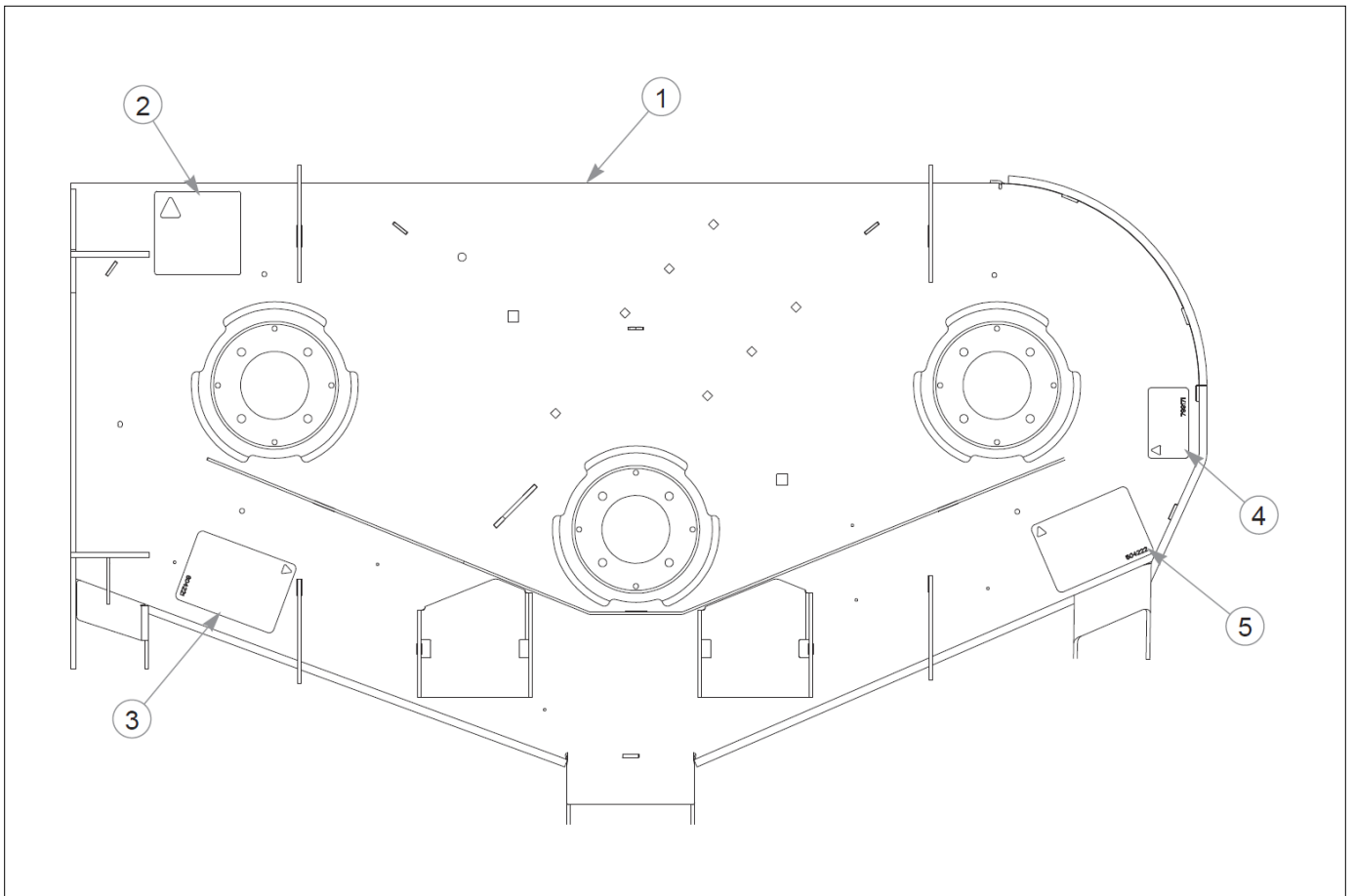


Comments for Page: Rear Discharge CE Guard Kit (Multi-Page)

jmumford@excelii.com on Feb 21, 2017

1. Part of the Rear Discharge Deck Assembly.

Deck



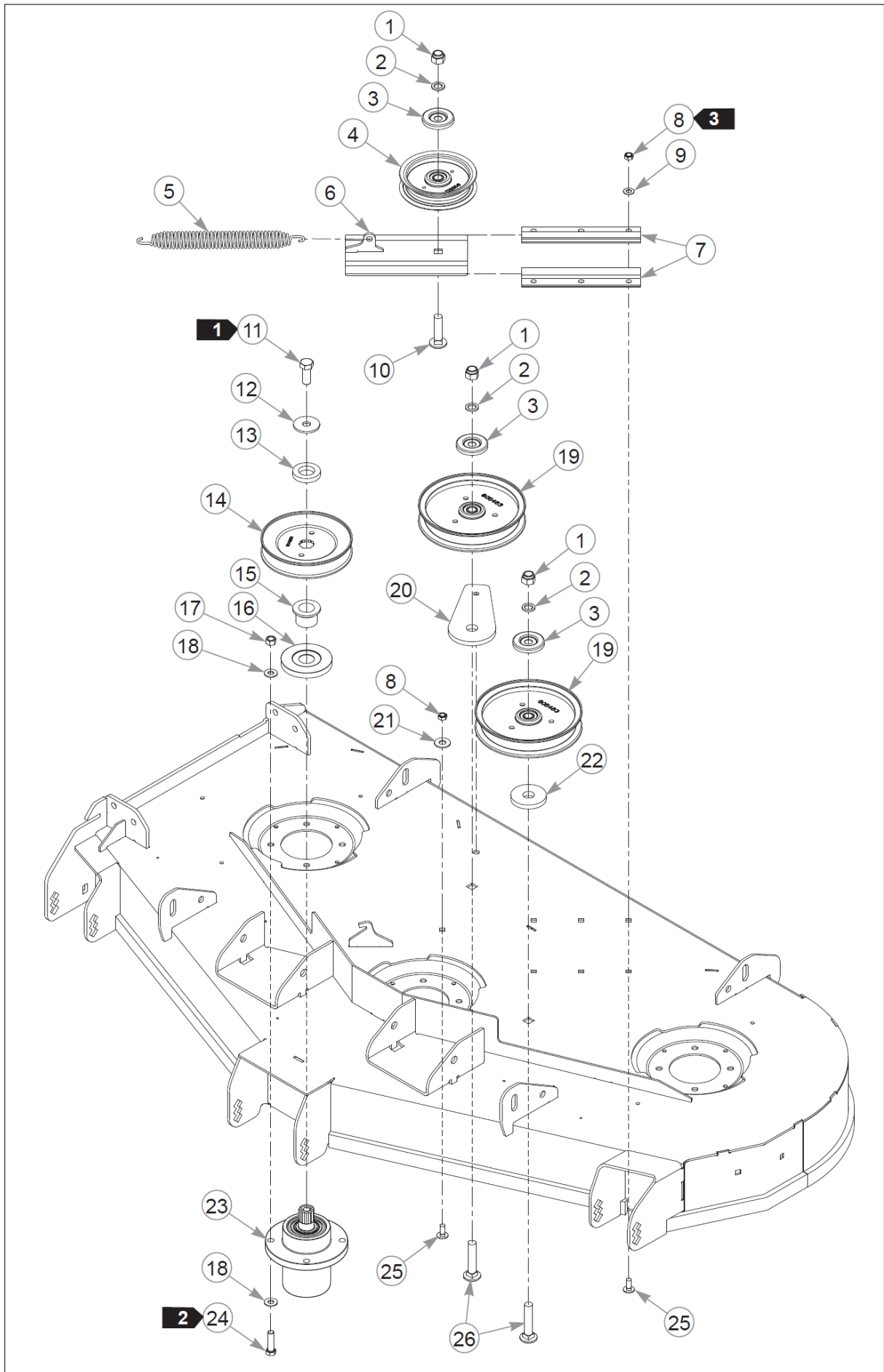
Elemento	Parte n.	Nome	Q.ta	Udm
1	552873	SVC DECK DECAL 54" FST	1	EA
2	781419	DECAL, BELT ROUTING	1	EA
3	604221	DECAL, DANGER / CHUTE	1	EA
4	799171	DECAL, Z 54" Deck ID	1	EA
5	604222	DECAL, DANGER / OBJECTS	1	EA

Comments for Page: 54" Service Deck

jmumford@excelii.com on Nov 17, 2014

1. The deck includes the decals.

Deck



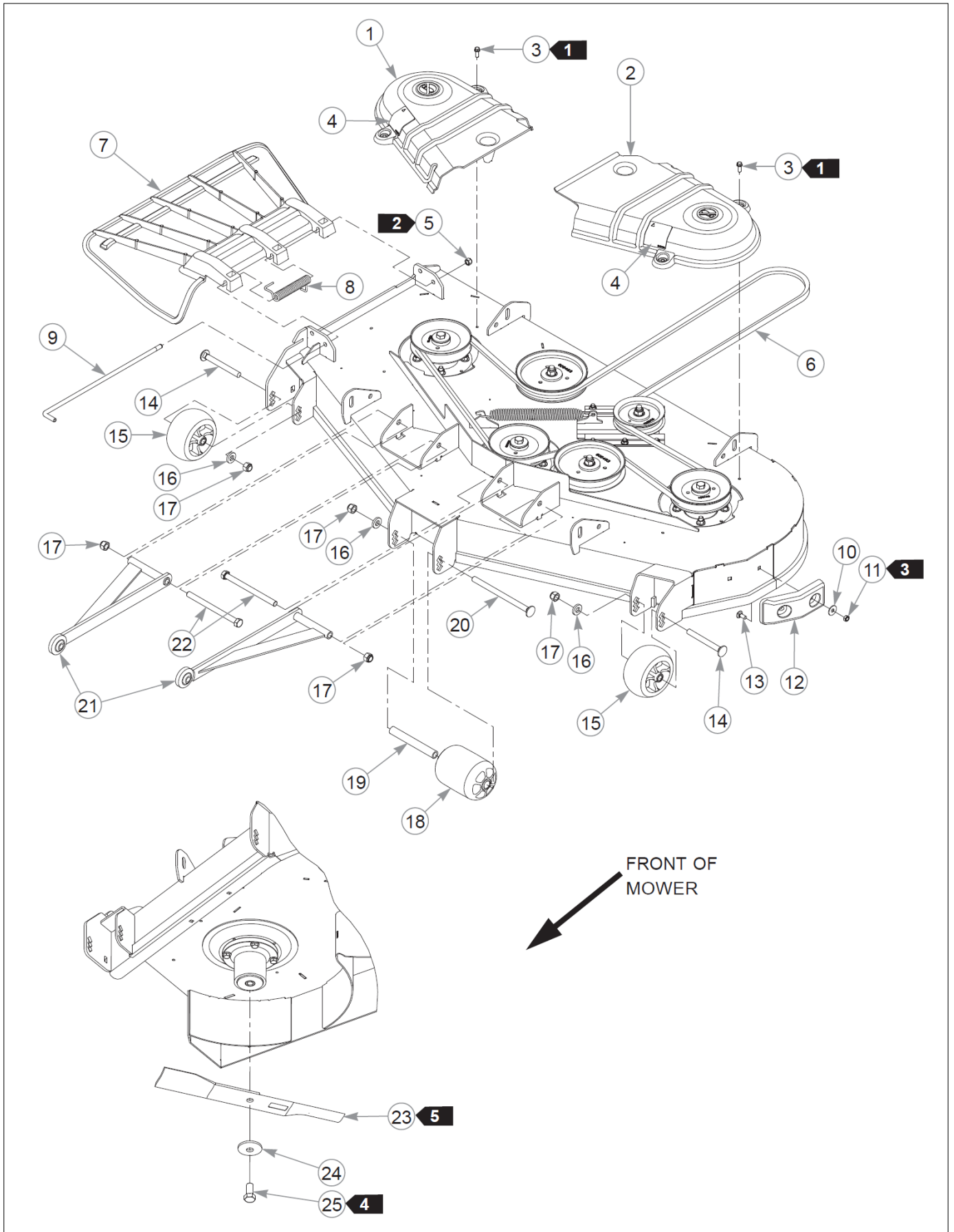
Elemento	Parte n.	Nome	Q.ta	Udm
1	781567	NT .500-13NLG5	3	EA
2	604486	FW .531X.812X.089 HD	3	EA
3	605467	DUST SHIELD	3	EA
4	605512	4" IDLER PULLEY	1	EA
5	122388	SPRING	1	EA
6	121052	SLED, TENSIONER	1	EA
7	604790	IDLER SLIDE, EXTRUDED	2	EA
8	604251	NT .312-18 HXNL JAM G2ZN	7	EA
9	604252	FW .340 X .675 X .035 ZN	6	EA
10	604253	CB .50-13 X 2.00 STD ZN	1	EA
11	705954	CS .500-13X1.250HSG5	3	EA
12	798603	FW .515X1.65X.125 HD ZY	3	EA
13	604777	SPINDLE SPACER	3	EA
14	604664	PULLEY, DECK DRIVE B-SEC	3	EA
15	605504	SPACER, PULLEY	3	EA
16	606362	DUST SHIELD	3	EA
17	054502	NT .375-16HXG5	12	EA
18	767954	FW 0.379 x 0.813 x 0.063	24	EA
19	605463	6.00" IDLER PULLEY	2	EA
20	605465	BASE, IDLER PULLEY MOUNT	1	EA
21	017129	FW .440X1.000X0.083	1	EA
22	605508	FW, 0.73 X 2.25 X 0.312	1	EA
23	605380	SPINDLE ASSY, 12PT	3	EA
24	005116	CS .375-16X1.375	12	EA
25	016253	CB .312-18X .750 FUL ZN	7	EA
26	604254	CB .50-13 X 2.50 STD ZN	2	EA

Comments for Page: 54" Deck Pulleys & Spindles

jmumford@excelsior.com on Mar 15, 2016

1. Torque to 99 N•m.
2. Torque to 41 N•m.
3. Torque to 4–8 N•m.

Deck



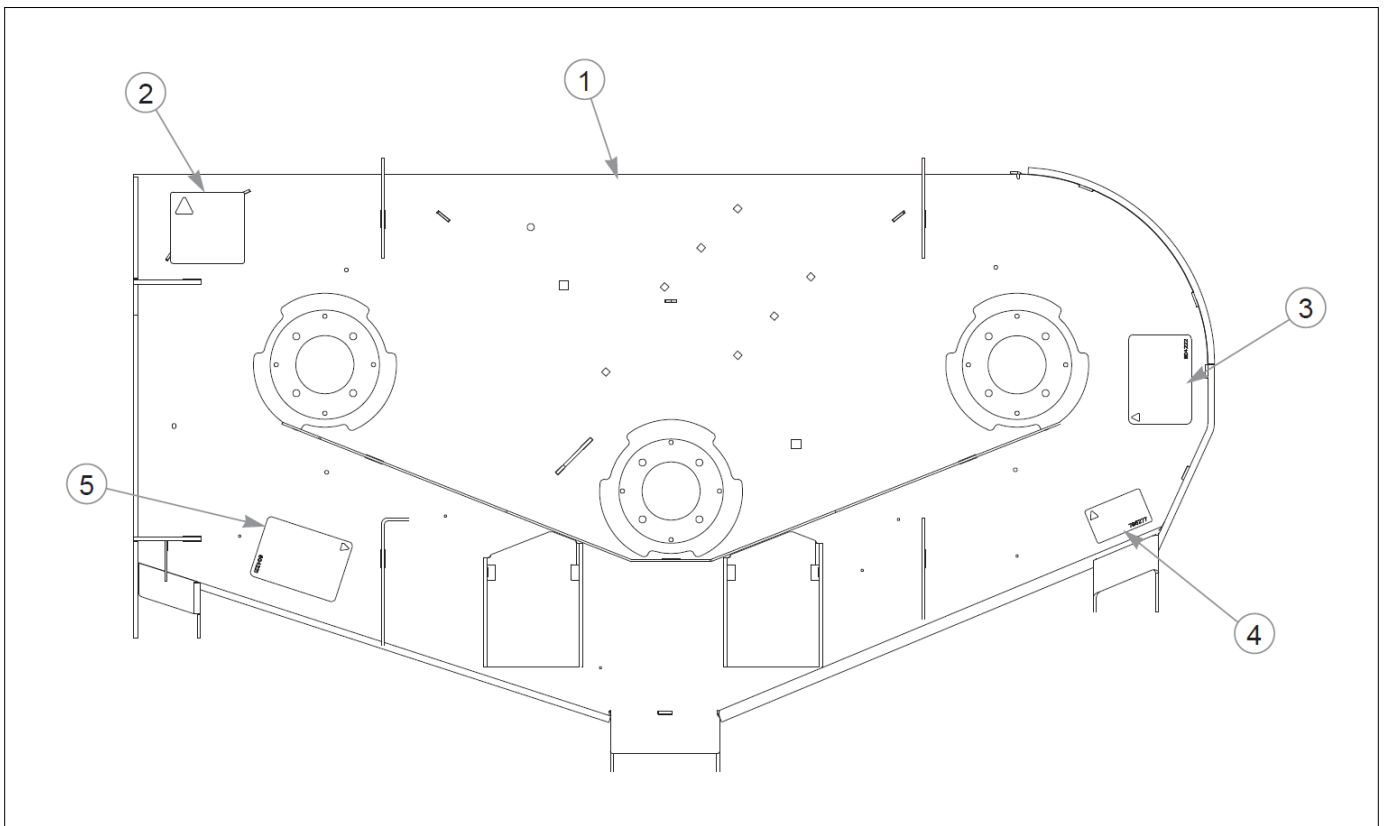
Elemento	Parte n.	Nome	Q.ta	Udm
1	553064	SVC, PULLEY COVER RH CE	1	EA
2	553065	SVC, PULLEY COVER LH CE	1	EA
3	604324	CS .250-20 X .75 HX FLG	4	EA
4	602562	DECAL, NO SERVICE	2	EA
5	086660	NT .375-16NLG8	1	EA
6	786483	BELT, B 148.56" EL	1	EA
7	605469	DISCHARGE CHUTE	1	EA
8	602435	SPRING, TORSION	1	EA
9	602432	PIN, CHUTE	1	EA
10	079210	FW 0.344X1.000X0.060	2	EA
11	604251	NT .312-18 HXNL JAM G2ZN	2	EA
12	605376	DECK BUMPER	1	EA
13	016253	CB .312-18X .750 FUL ZN	2	EA
14	602339	CB .50-13 X 4.50 STD ZN	2	EA
15	604780	WHEEL, ANTI-SCALP	2	EA
16	767962	FW .531 x 1.063 x .175	3	EA
17	781567	NT .500-13NLG5	5	EA
18	602341	WHEEL, ANTI-SCALP	1	EA
19	602344	SPACER, ANTI- SCALP 5.73	1	EA
20	602338	CB .50-13 X 7.50 STD ZN	1	EA
21	113717	PULLER W/A 14.53" C/C	2	EA
22	042630	CS .500-13X6.500HXG5	2	EA
23	606251	BLADE, 18.50"-H-F-CW	3	EA
Not Shown	601012	BLADE F18.50"-L-F-CW	3	EA
Not Shown	601124	BLADE, 18.50"-L-F-CW	3	EA
Not Shown	797704	BLADE, 18.50"-MUL-F-CW	3	EA
Not Shown	797712	BLADE, 18.50"-GAT-F-CW	3	EA
24	782474	CW .678 X 2.250 X .187	3	EA
25	781872	CS .625-11X1.250HXG5	3	EA

Comments for Page: 54" Deck

jmumford@excelii.com on Apr 8, 2016

1. Torque to 3-6 N•m on these self-tapping screws.
2. Do not torque; the discharge chute must pivot freely.
3. Torque to 4-8 N•m.
4. Torque to 160 N•m.
5. These blades are approved for use with Catcher 606045:
606251 BLADE, 18.5"-H-F-CW
601124 BLADE, 18.5"-L-F-CW
797712 BLADE, 18.5"-GAT-F-CW
797704 BLADE, 18.5"-MUL-F-CW
6. The pulley covers include the decals.

Deck



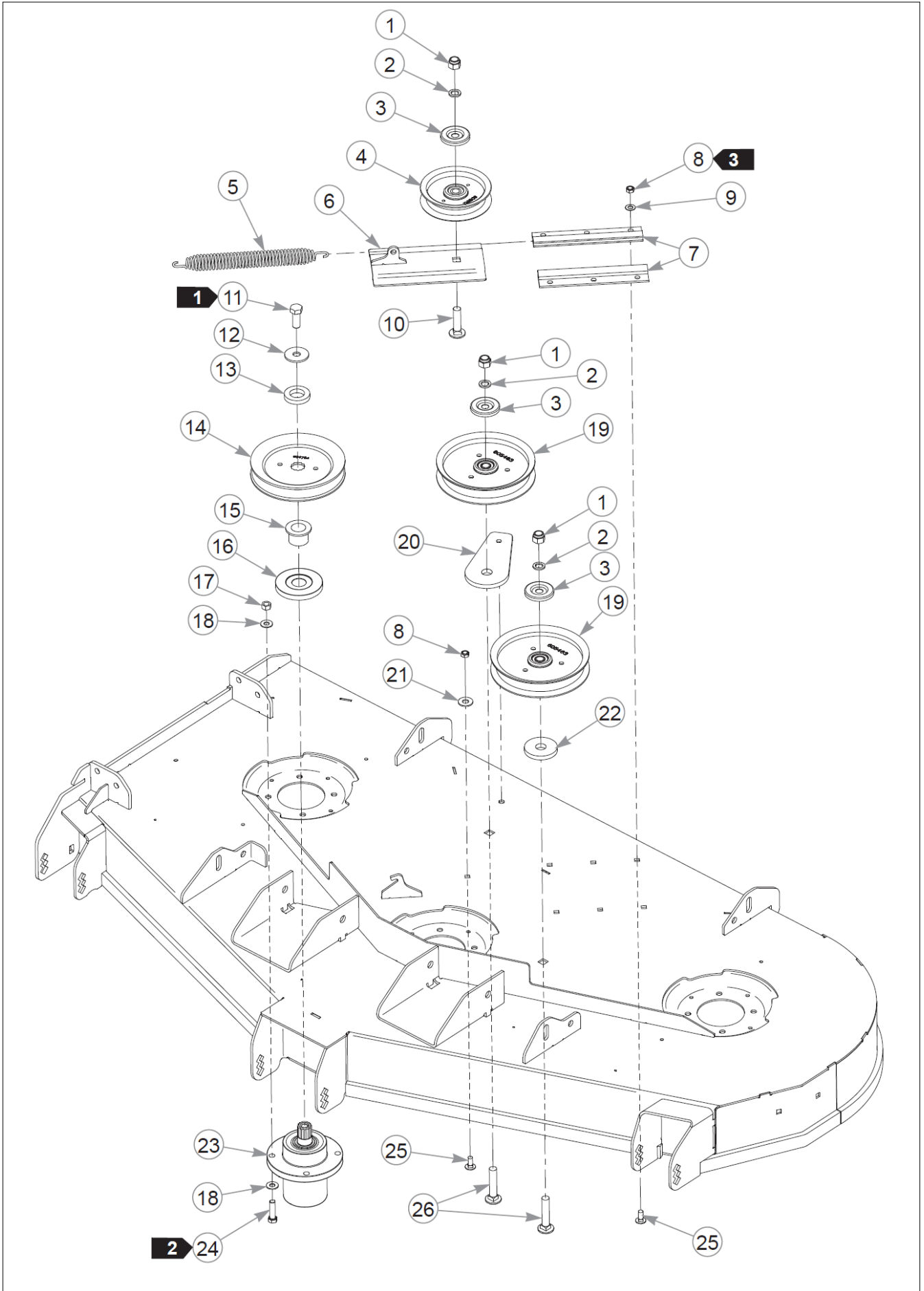
Elemento	Parte n.	Nome	Q.ta	Udm
1	552874	SVC DECK DECAL 60" FST	1	EA
2	781419	DECAL, BELT ROUTING	1	EA
3	604222	DECAL, DANGER / OBJECTS	1	EA
4	786277	DECAL, 60 DECK ID	1	EA
5	604221	DECAL, DANGER / CHUTE	1	EA

Comments for Page: 60" Service Deck

jmumford@excelii.com on Nov 17, 2014

1. The deck includes the decals.

Deck



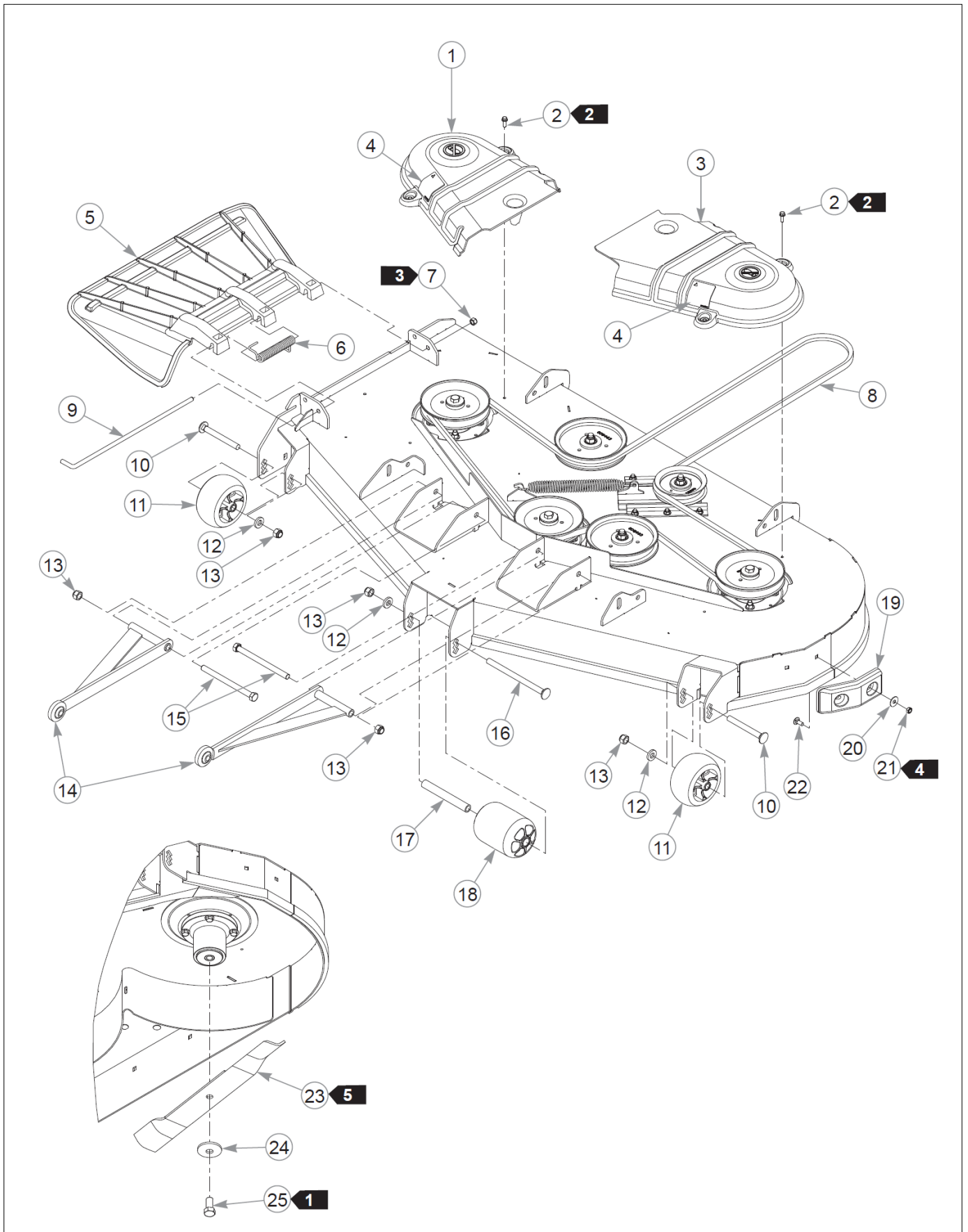
Elemento	Parte n.	Nome	Q.ta	Udm
1	781567	NT .500-13NLG5	3	EA
2	604486	FW .531X.812X.089 HD	3	EA
3	605467	DUST SHIELD	3	EA
4	605512	4" IDLER PULLEY	1	EA
5	122388	SPRING	1	EA
6	121052	SLED, TENSIONER	1	EA
7	604790	IDLER SLIDE, EXTRUDED	2	EA
8	604251	NT .312-18 HXNL JAM G2ZN	7	EA
9	604252	FW .340 X .675 X .035 ZN	6	EA
10	604253	CB .50-13 X 2.00 STD ZN	1	EA
11	705954	CS .500-13X1.250HSG5	3	EA
12	798603	FW .515X1.65X.125 HD ZY	3	EA
13	604777	SPINDLE SPACER	3	EA
14	604704	PULLEY, DECK DRIVE B-SEC	3	EA
15	605504	SPACER, PULLEY	3	EA
16	606362	DUST SHIELD	3	EA
17	054502	NT .375-16HXG5	12	EA
18	767954	FW 0.379 x 0.813 x 0.063	24	EA
19	605463	6.00" IDLER PULLEY	2	EA
20	605465	BASE, IDLER PULLEY MOUNT	1	EA
21	017129	FW .440X1.000X0.083	1	EA
22	605508	FW, 0.73 X 2.25 X 0.312	1	EA
23	605380	SPINDLE ASSY, 12PT	3	EA
24	005116	CS .375-16X1.375	12	EA
25	016253	CB .312-18X .750 FUL ZN	7	EA
26	604254	CB .50-13 X 2.50 STD ZN	2	EA

Comments for Page: 60" Deck Pulleys & Spindles

jmumford@excelii.com on Mar 15, 2016

1. Torque to 99 N•m.
2. Torque to 41 N•m.
3. Torque to 5–8 N•m.

Deck



Elemento	Parte n.	Nome	Q.ta	Udm
1	553064	SVC, PULLEY COVER RH CE	1	EA
2	604324	CS .250-20 X .75 HX FLG	4	EA
3	553065	SVC, PULLEY COVER LH CE	1	EA
4	602562	DECAL, NO SERVICE	2	EA
5	605469	DISCHARGE CHUTE	1	EA
6	602435	SPRING, TORSION	1	EA
7	086660	NT .375-16NLG8	1	EA
8	605510	BELT, B 158.5 EL	1	EA
9	602432	PIN, CHUTE	1	EA
10	602339	CB .50-13 X 4.50 STD ZN	2	EA
11	604780	WHEEL, ANTI-SCALP	2	EA
12	767962	FW .531 x 1.063 x .175	3	EA
13	781567	NT .500-13NLG5	5	EA
14	113717	PULLER W/A 14.53" C/C	2	EA
15	042630	CS .500-13X6.500HXG5	2	EA
16	602338	CB .50-13 X 7.50 STD ZN	1	EA
17	602344	SPACER, ANTI- SCALP 5.73	1	EA
18	602341	WHEEL, ANTI-SCALP	1	EA
19	605376	DECK BUMPER	1	EA
20	079210	FW 0.344X1.000X0.060	2	EA
21	604251	NT .312-18 HXNL JAM G2ZN	2	EA
22	016253	CB .312-18X .750 FUL ZN	2	EA
23	606253	BLADE, 20.5"-H-F-CW	3	EA
Not Shown	600901	BLADE, F20.50"-L-F-CW	3	EA
Not Shown	793794	BLADE,20.50"-L-F-CW	3	EA
Not Shown	794214	BLADE,20.50"-MUL-F-CW	3	EA
Not Shown	794230	BLADE,20.50"GAT-F-CW	3	EA
Not Shown	794685	BLADE, F20.50"-H-F-CW	3	EA
24	782474	CW .678 X 2.250 X .187	3	EA

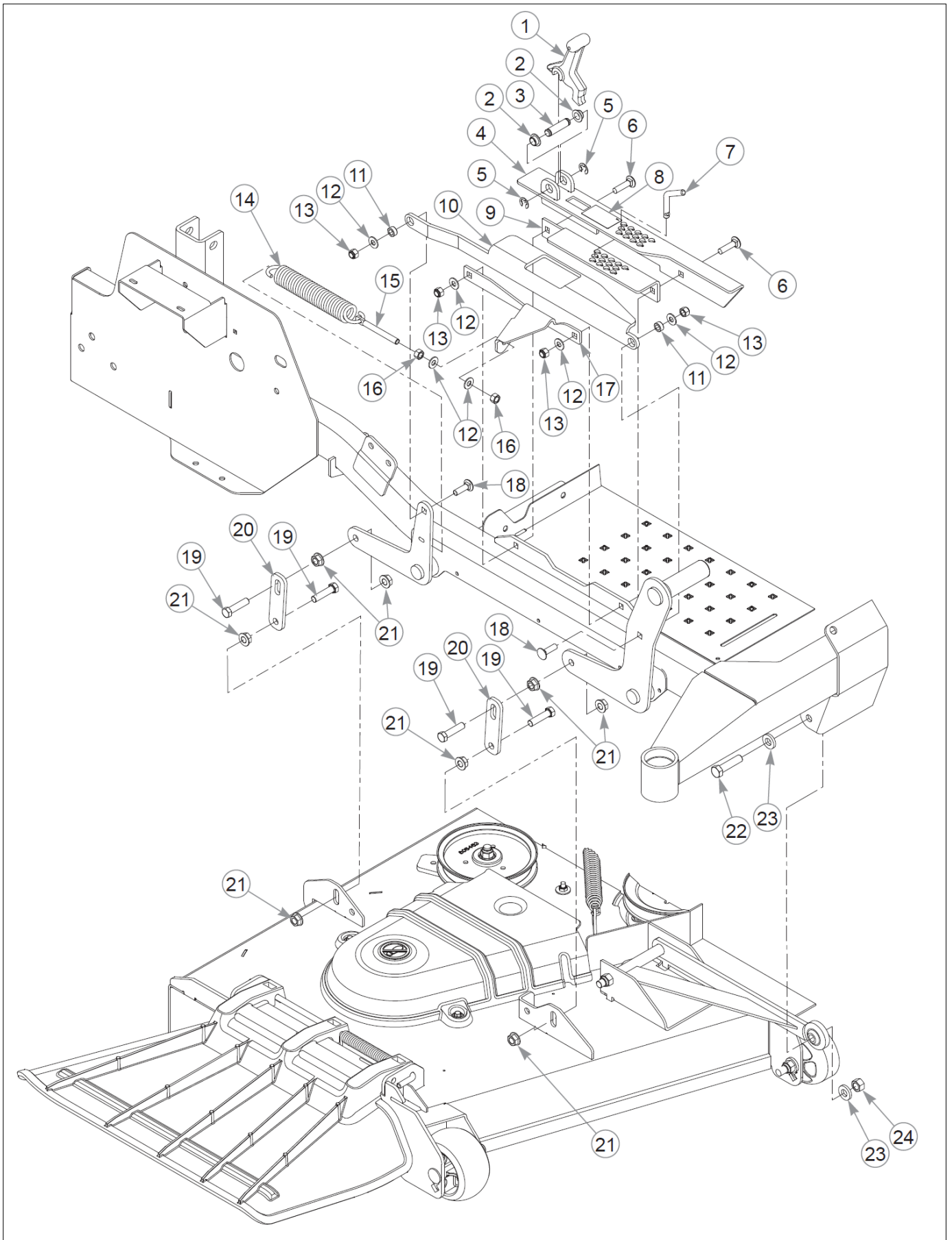
Elemento	Parte n.	Nome	Q.ta	Udm
25	781872	CS .625-11X1.250HXG5	3	EA

Comments for Page: 60" Deck

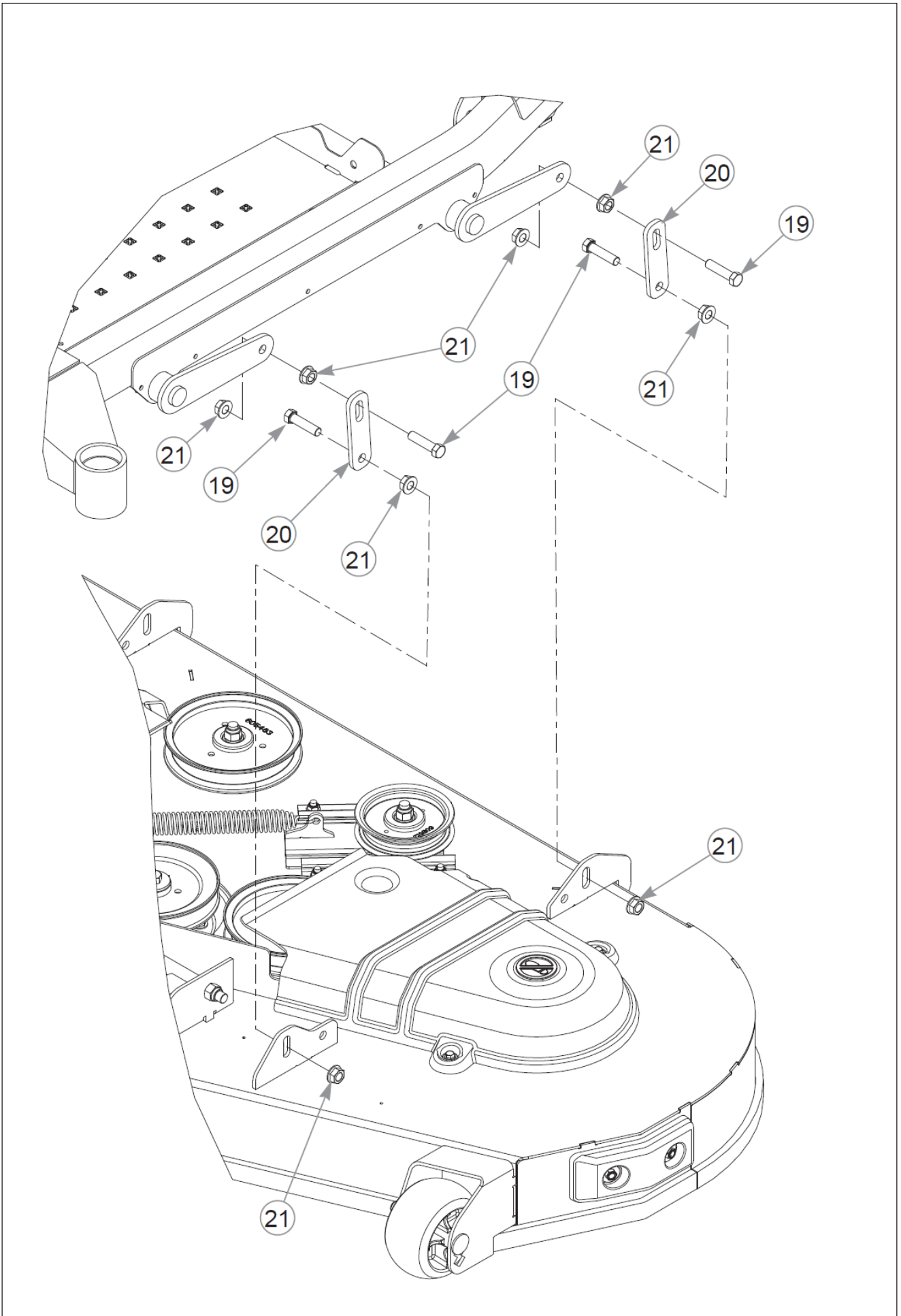
jmumford@excelii.com on Mar 16, 2016

1. Torque to 160 N•m.
2. Torque to 3–7 N•m on these self-tapping screws.
3. Do not torque; the discharge chute must pivot freely.
4. Torque to 4–8 N•m.
5. These blades are approved for use with Catcher 606045:
606253 BLADE, 20.5"-H-F-CW
794214 BLADE, 20.5"-MUL-F-CW
793794 BLADE, 20.50"-L-F-CW
6. The pulley covers include the decals.

Deck



Elemento	Parte n.	Nome	Q.ta	Udm
1	605466	TRANSPORT LATCH	1	EA
2	768259	BUSHING,IGUS#0810 (FS)	2	EA
3	605470	CE .500X2.00X1.63	1	EA
4	553089	INDICATOR PLATE	1	EA
5	793059	CLIP E,(1/2").80X.396X.	2	EA
6	710194	CB .375-16X 1.50 STD G5	2	EA
7	601963	PIN, DECK HEIGHT STOP	1	EA
8	605538	DECAL, DECK HEIGHT	1	EA
9	119970	CUT HEIGHT BRKT, INNER	1	EA
10	119969	INDICATOR BRACKET	1	EA
11	118900	SPACER, DECK LIFT LINK	2	EA
12	767954	FW 0.379 x 0.813 x 0.063	6	EA
13	086660	NT .375-16NLG8	4	EA
14	008938	TENSION SPRING-PLATED	1	EA
15	601486	EB, .375-16X3.00 FULTHD	1	EA
16	054502	NT .375-16HXG5	2	EA
17	120779	ASSIST SPRING BRKT	1	EA
18	603113	CB .375-16X1.250 G5 ZNC	2	EA
19	055749	CS .437-14X1.750HXG5	8	EA
20	124354-1	DECK LIFT LINK	4	EA
21	704643	NT .437-14FLKG5	16	EA
22	078949	CS .500-13X2.000 FUL HX	2	EA
23	767962	FW .531 x 1.063 x .175	4	EA
24	008193	NT .500-13HXG5	2	EA

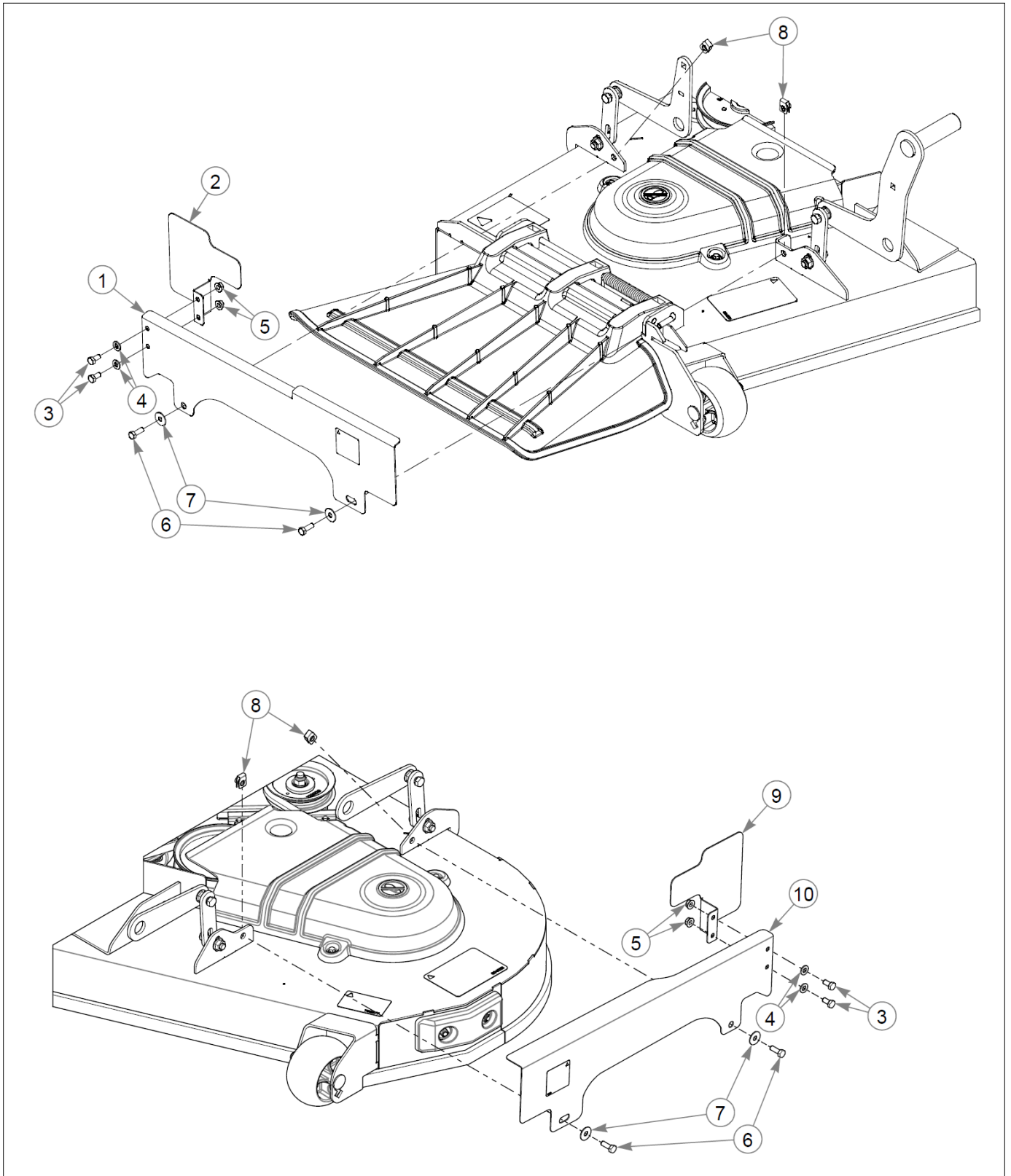


Comments for Page: Deck Lift (Multi-Page)

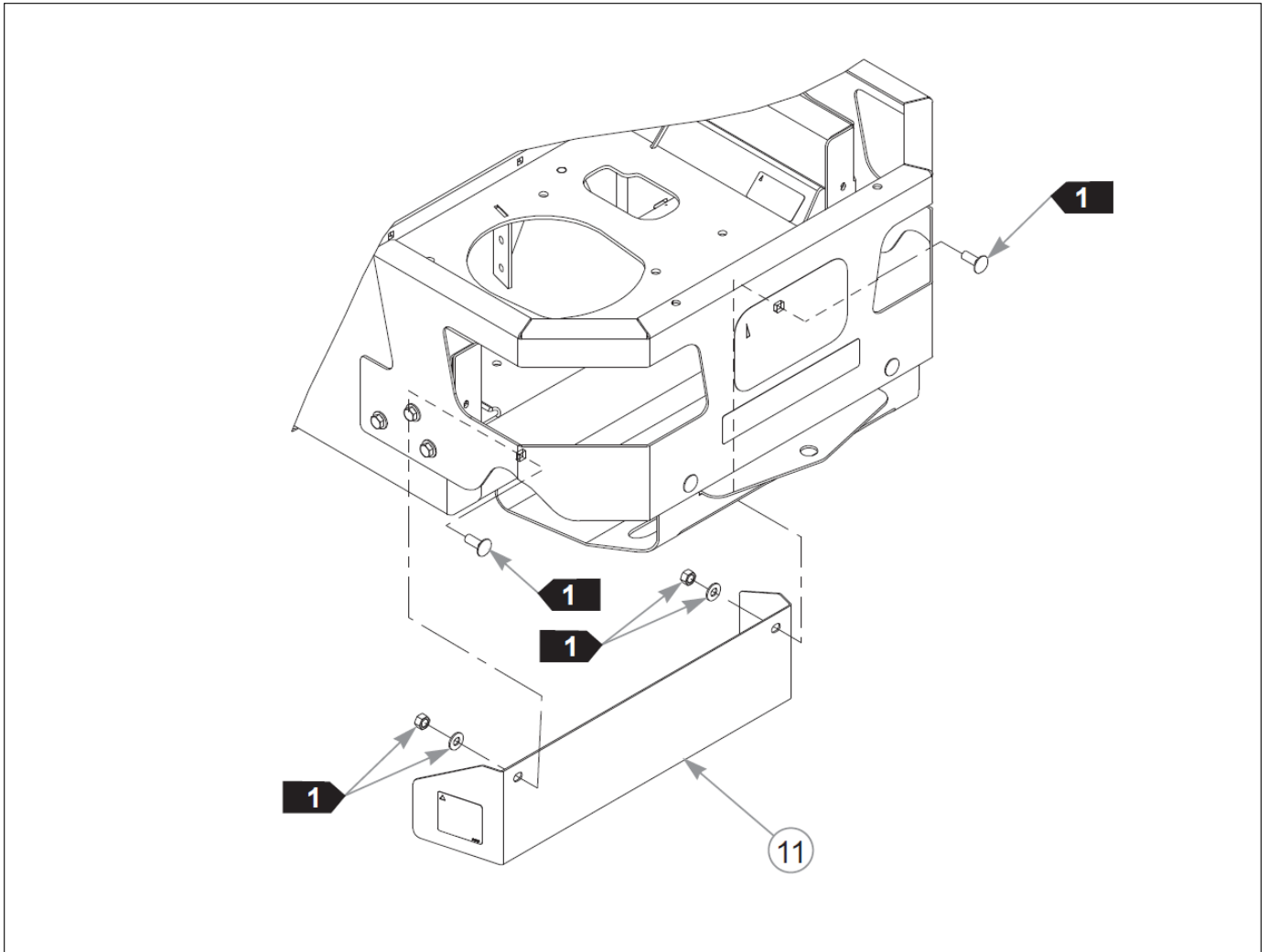
jmumford@excelii.com on Mar 15, 2016

1. 553089 (indicator plate) includes the decal.

Deck



Elemento	Parte n.	Nome	Q.ta	Udm
1	552999	SVC GUARD, RHS DECK	1	EA
2	122752	CE GUARD EXT RS	1	EA
3	029710	CS .312-18X .750 HXFLK	4	EA
4	768523	FW 0.343SAE	4	EA
5	016832	NT .312-18FLKG5	4	EA
6	064014	CS .312-18X0.875HXG5	4	EA
7	079210	FW 0.344X1.000X0.060	4	EA
8	601069	CN .312-18x.200 MAX THK	4	EA
9	122753	CE GUARD EXT LS	1	EA
10	552998	SVC GUARD, LHS DECK	1	EA
11	553032	SVC GUARD, CLUTCH	1	EA

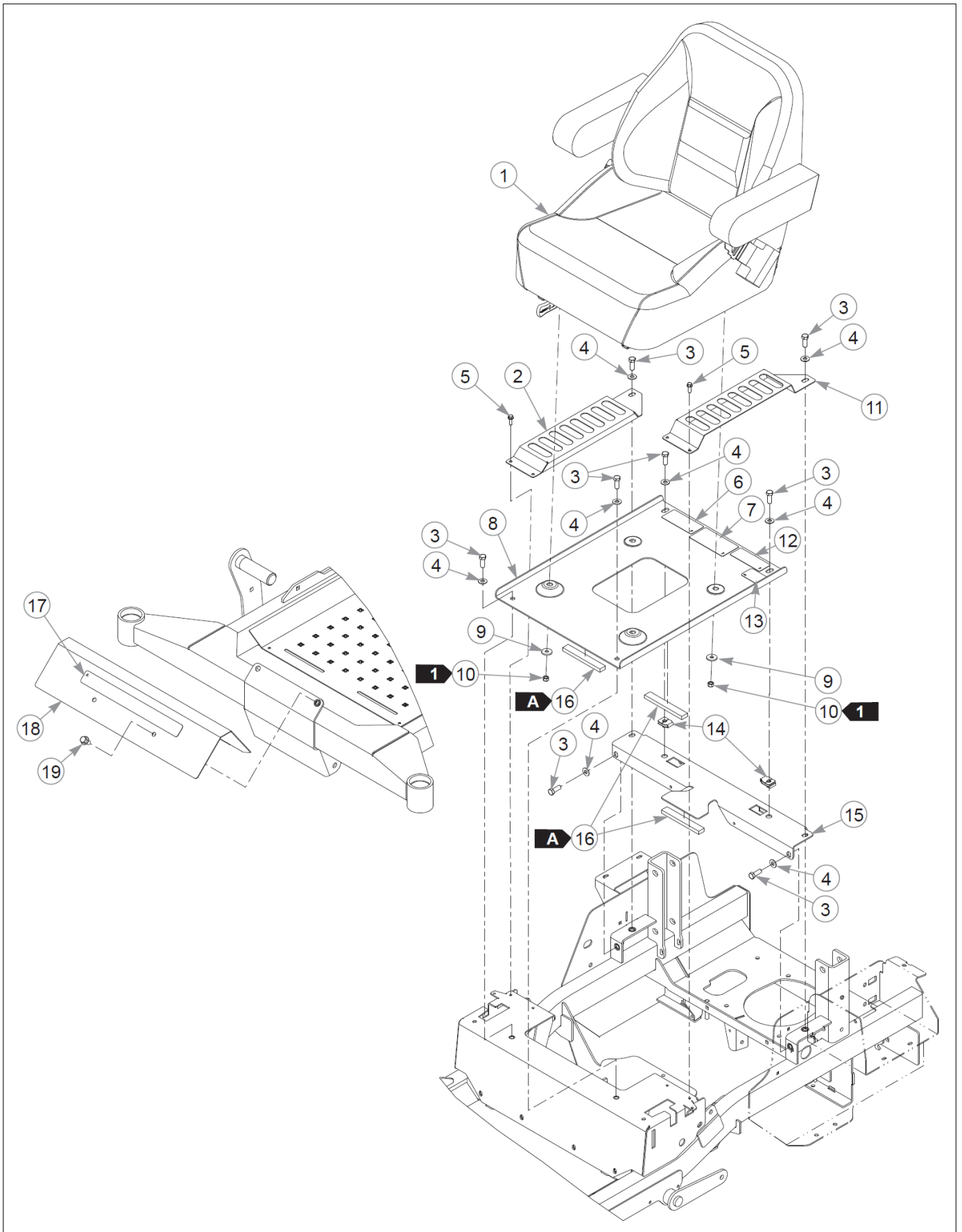


Comments for Page: Side Discharge CE Guard Kit (Multi-Page)

jmumford@excelii.com on Feb 21, 2017

1. Part of the Engine Guard Assembly.

Seat & ROPS



Elemento	Parte n.	Nome	Q.ta	Udm
1	605812	SEAT W/ ISOLATOR	1	EA
Not Shown	605566	SEAT, 2 PIECE	1	EA
2	121069	HYDRO GUARD, RH	1	EA
3	036244	CS .375-16X1.000HXG5	8	EA
4	767954	FW 0.379 x 0.813 x 0.063	8	EA
5	604324	CS .250-20 X .75 HX FLG	4	EA
6	601967	DECAL, ENGINE COMPART	1	EA
7	600899	DECAL, PUMP BELT WARNING	1	EA
8	552853	SEAT PAN (WITH DECALS)	1	EA
9	712927	FW 0.344X1.000X0.120HD	4	EA
10	058776	NT .312-18NLG5	4	EA
11	121070	HYDRO GUARD, LH	1	EA
12	779280	DECAL, HOT & HYD OIL	1	EA
13	605782	DECAL, LEVEL FUEL BLOWM	1	EA
14	601758	CN .375-16x.200 MAX THK	2	EA
15	552848	SEAT SUPPORT (WITH TAPE)	1	EA
16	713198	SEAL 3/8x3/4 SOLD BY FT	38 cm	FT
17	602407	DECAL, HUSTLER ID	1	EA
18	552856	FOOTREST (WITH DECAL)	1	EA
19	029629	CS .375-16X0.750FLK	2	EA

Comments for Page: Seat

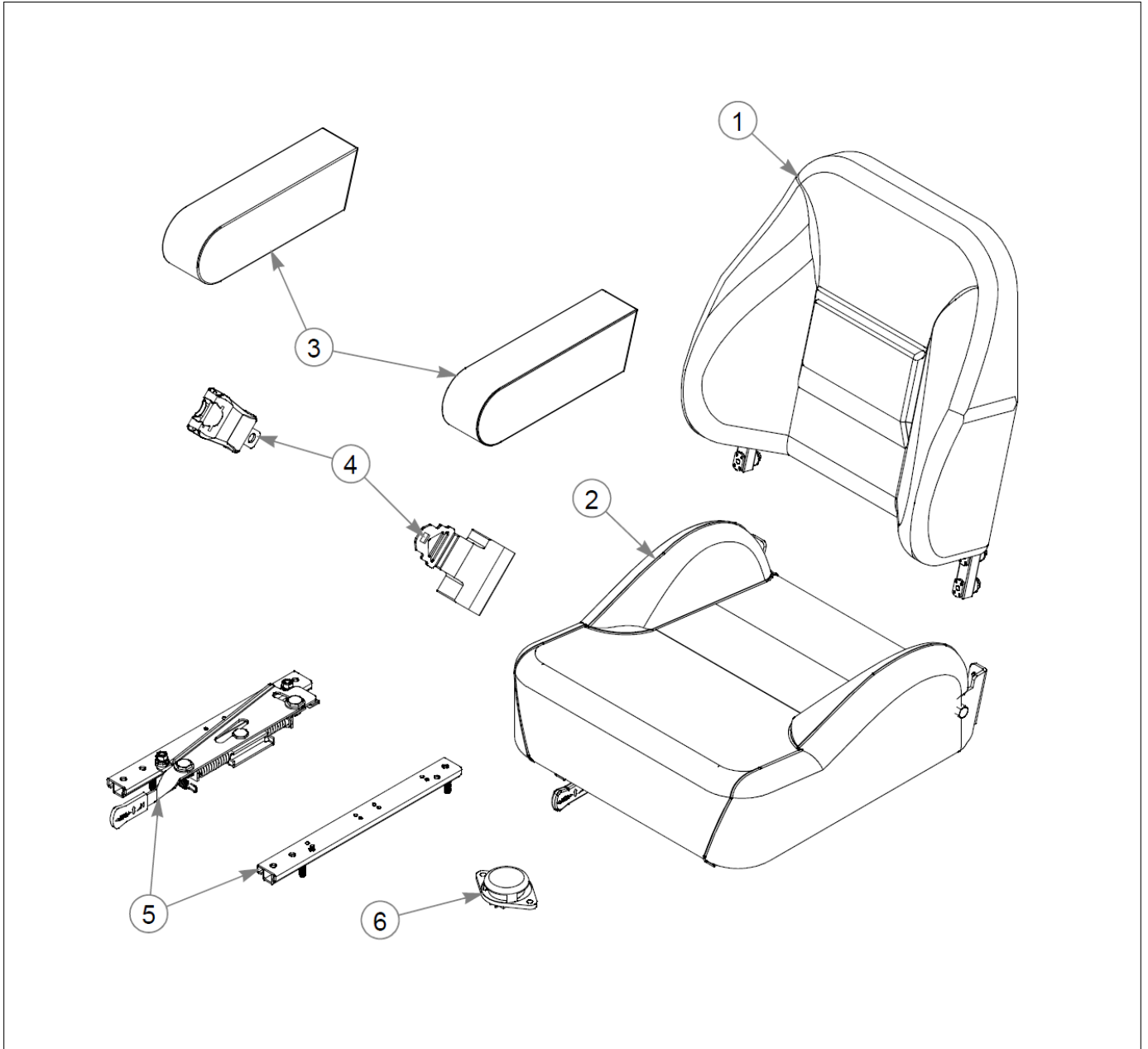
jmumford@excelii.com on Mar 16, 2016

SEAL LENGTH

A: 5.0"

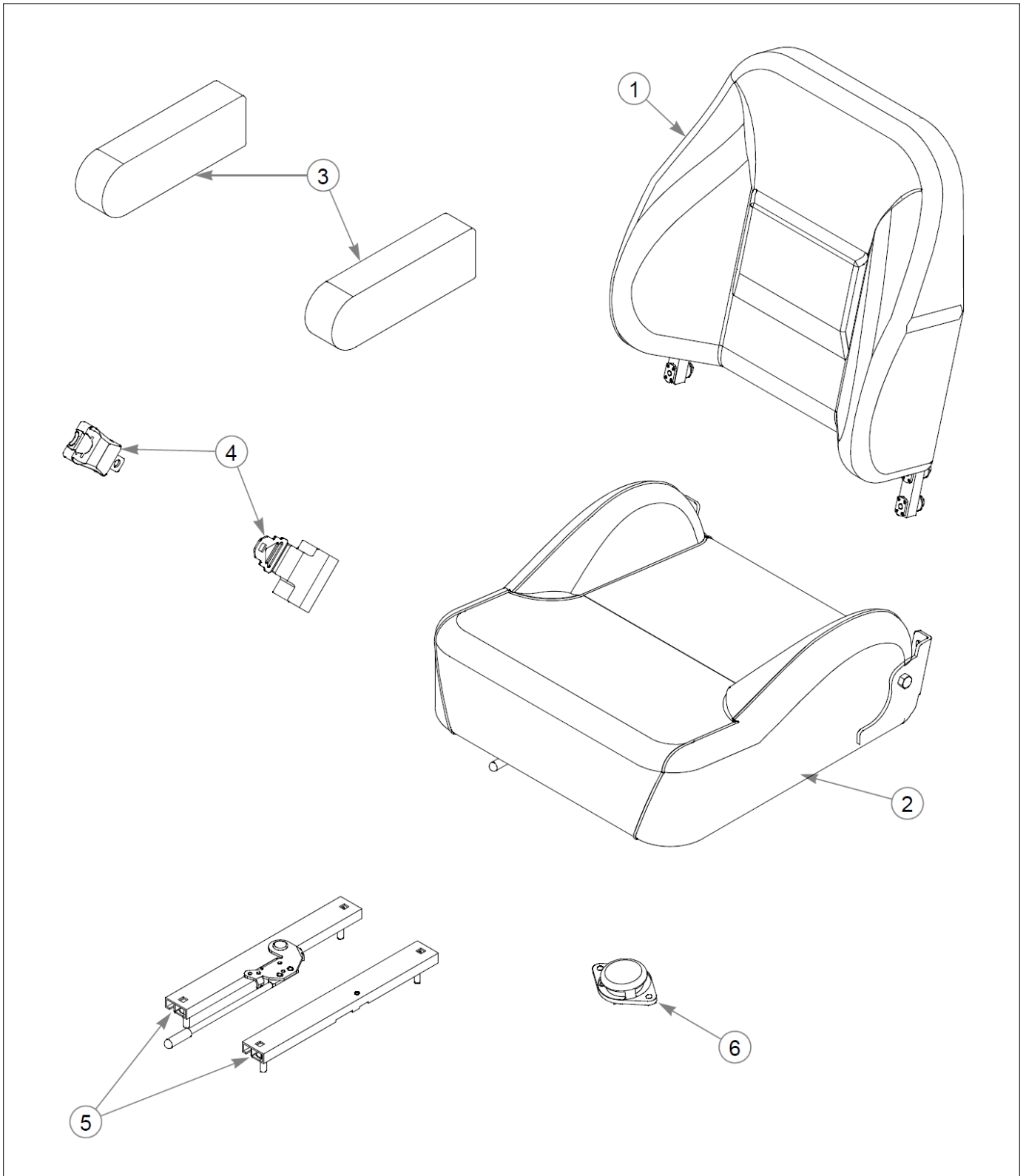
1. Torque to 23 N•m.
2. The footrest includes the decal.
3. 605812 is used on mowers S/N 16020001 & higher.
605566 is used on mowers S/N prior to 16020001.

Seat & ROPS



Elemento	Parte n.	Nome	Q.ta	Udm
Not Shown	605812	SEAT W/ ISOLATOR	1	EA
1	605614	SEAT BACK	1	EA
2	605613	SEAT BOTTOM	1	EA
3	605615	ARM REST (PAIR)	1	EA
4	604945	SEAT BELT (SET)	1	EA
5	122166	KIT, SEAT ISOLATOR	1	EA
6	603148	N/O SEAT SWITCH	1	EA

Seat & ROPS



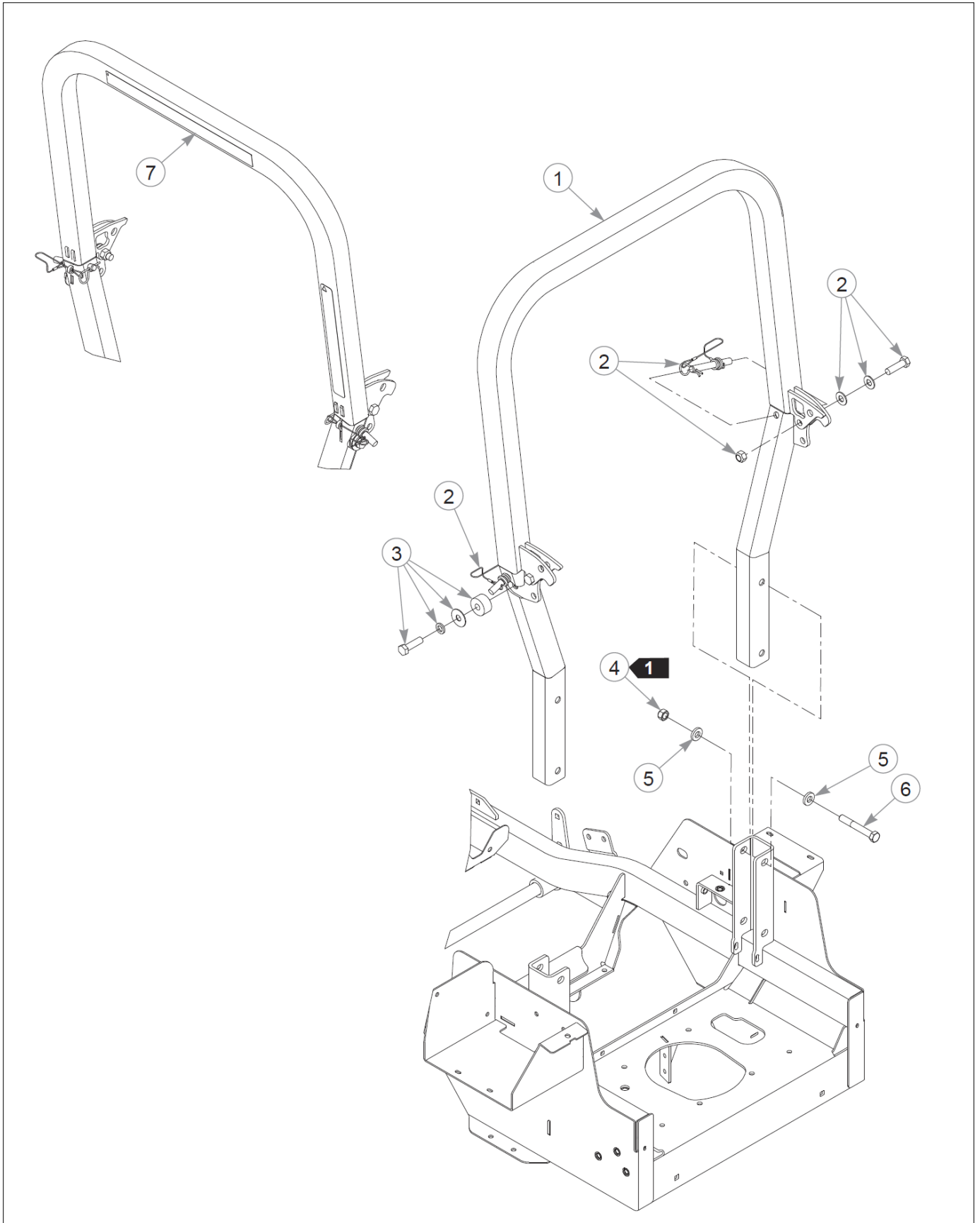
Elemento	Parte n.	Nome	Q.ta	Udm
Not Shown	605566	SEAT, 2 PIECE	1	EA
1	605614	SEAT BACK	1	EA
2	605613	SEAT BOTTOM	1	EA
3	605615	ARM REST (PAIR)	1	EA
4	604945	SEAT BELT (SET)	1	EA
5	604944	SEAT SLIDES (PAIR)	1	EA
6	603148	N/O SEAT SWITCH	1	EA

Comments for Page: Seat Service Parts - 605566

jmumford@excelii.com on Feb 11, 2015

1. 605615 (armrests) are shipped as a pair.
2. 604945 (seat belt) is shipped as a set.
3. 604944 (slides) are shipped as a pair.

Seat & ROPS



Elemento	Parte n.	Nome	Q.ta	Udm
1	605479	ROPS ASSY	1	EA
2	605044	KIT, ROPS HARDWARE	1	EA
3	605646	KIT, POLY STOP (PAIR)	2	EA
4	023317	NT .500-13UNTG8	4	EA
5	767962	FW .531 x 1.063 x .175	8	EA
6	061812	CS .500-13X3.500HXG5	4	EA
7	605691	DECAL, COMMERCIAL DUTY	1	EA

Comments for Page: ROPS

jmumford@excelii.com on Mar 15, 2016

1. Torque to 99 N•m.

Appendice A	Indice pagine				
48" Rear Discharge Debris Shield	8-6	Seat Service Parts - 605566	9-3
48" Rear Discharge Deck	8-7	Seat Service Parts - 605812	9-2
48" Rear Discharge Deck Pulleys & Spindles			Side Discharge CE Guard Kit (Multi-Page)	8-16
8-5			Steering (Multi-Page)	4-3
48" Rear Discharge Service Deck	8-4	Steering Assembly	4-4
48" Side Discharge Deck	8-3	Steering Box Assembly	4-5
48" Side Discharge Deck Pulleys & Spindles	8-2		Transmission Service Parts	4-2
			Wheel & Tire - 48" Mowers	5-1
48" Side Discharge Service Deck	8-1	Wheel & Tire - 54" & 60" Mowers	5-3
54" Deck	8-11			
54" Deck Pulleys & Spindles	8-10			
54" Service Deck	8-9			
60" Deck	8-14			
60" Deck Pulleys & Spindles	8-13			
60" Service Deck	8-12			
Battery & Fenders	7-1			
Deck Lift (Multi-Page)	8-15			
Drive Wheel Breakdown - 20 X 10 Tire - 48" Mowers	5-5			
Drive Wheel Breakdown - 23 X 11 Tire - 54" & 60" Mowers	5-6			
Engine	6-1			
Engine Guard & Hitch	3-2			
Engine Service Parts	6-2			
Frame	3-1			
Front Tire Breakdown - 13 X 5 Tire - 48" Mowers	5-2			
Front Tire Breakdown - 13 X 6.5 Tire - 54" & 60" Mowers	5-4			
Fuel System (Multi-Page)	6-3			
General Information	1			
Hydraulic Transmission	4-1			
Instrument Panel	7-2			
ROPS	9-4			
Rear Discharge CE Guard Kit (Multi-Page)	8-8				
Seat	9-1			

Appendice BIndice parti	042630	4-4, 8-3, 8-7, 8-11, 8-14
000323	043067	4-1
000331	043570	6-3
000398	045898	7-2
000430	047456	6-3
005116	052860	3-2, 4-1
008193	054502	3-2, 4-3, 8-2, 8-5, 8-10, 8-13, 8-15
008938	055749	8-15
015495	055939	4-1, 4-3, 7-1
015818	056077	7-2
016253	058776	4-1, 4-4, 8-6, 9-1
14	059832	7-2
016410	061077	5-1, 5-3
016816	061101	5-2, 5-4
016832	061812	9-4
016972	064006	8-8
017129	064014	8-8, 8-16
017152	064345	4-4
019521	068478	6-2
021980	078949	8-15
023317	079210	8-3, 8-8, 8-11, 8-14, 8-16
023655	080358	6-3
024927	080655	4-3
025007	086660	4-1, 4-3, 4-4, 4-5, 8-3, 8-11, 8-14, 8-15
025296	109434	8-7
025395	111875-1	5-1, 5-3
029629	113717	8-3, 8-11, 8-14
029710	113946	6-1
029868	114052	7-2
029876	118900	8-15
033035	119749	4-5
034272	119750	4-5
034280	119807	4-5
036236	119811	4-4
036244	119969	8-15
036384	119970	8-15
041475	119977	3-2

120126	4-1	553017	8-4
120671	4-3	553032	8-8, 8-16
120672	4-3	553064	8-11, 8-14
120779	8-15	553065	8-11, 8-14
121052	8-2, 8-5, 8-10, 8-13	553087	3-1
121069	9-1	553088	3-1
121070	9-1	553089	8-15
121133	3-2	553123	3-2
121134	3-2	553531	8-3, 8-7
121809K	6-1	553544	8-8
122166	9-2	553545	8-8
122256	8-6	600296	4-1
122297	8-6	600700	5-5
122388	8-2, 8-5, 8-10, 8-13	600767	4-1
122722	4-1	600899	9-1
122752	8-16	600901	8-14
122753	8-8, 8-16	600972	4-2
122774	8-8	600974	4-2
122775	8-8	600975	4-2
124348-3	6-3	600976	4-2
124352-1	4-4	600981	4-3
124353-1	4-4	600987	4-1
124354-1	8-15	601001	4-1
124355-1	7-1	601012	8-11
124488-4	8-5	601014	8-3, 8-7
344267	5-1, 5-3	601047	7-2
366625	5-2	601051	4-3
552848	9-1	601053	7-2
552852	4-4	601069	8-8, 8-16
552853	9-1	601084	4-1
552855	7-2	601087	4-5
552856	9-1	601098	7-2
552872	8-1	601123	8-3, 8-7
552873	8-9	601124	8-11
552874	8-12	601131	4-3
552998	8-16	601221	4-2
552999	8-16	601347	5-6

601433	4-2	603983	4-3
601486	8-15	604179	4-4
601503	6-3	604221	8-9, 8-12
601624	8-1	604222	8-9, 8-12
601758	9-1	604250	6-1
601815	7-1	604251	8-2, 8-3, 8-5, 8-10, 8-11, 8-13, 8-14
601834	6-1	604252	8-2, 8-5, 8-6, 8-10, 8-13
601837	8-1, 8-4	604253	8-2, 8-10, 8-13
601841	6-1	604254	8-2, 8-5, 8-10, 8-13
601892	8-1, 8-4	604307	6-3
601963	8-15	604323	6-3
601967	9-1	604324	7-1, 8-3, 8-7, 8-11, 8-14, 9-1
601982	4-1, 7-1, 7-2	604350	6-1
601993	3-1	604369	6-1
602041	3-1	604456	4-3
602338	8-3, 8-7, 8-11, 8-14	604486	8-2, 8-5, 8-10, 8-13
602339	8-3, 8-11, 8-14	604661	8-5
602341	8-3, 8-7, 8-11, 8-14	604664	8-10
602344	8-3, 8-7, 8-11, 8-14	604665	8-2, 8-5
602407	9-1	604691	5-4
602432	8-3, 8-11, 8-14	604704	8-13
602435	8-3, 8-11, 8-14	604770	3-2
602562	8-3, 8-7, 8-11, 8-14	604777	8-2, 8-10, 8-13
602580	6-1	604780	8-3, 8-11, 8-14
602581	6-2	604790	8-2, 8-5, 8-10, 8-13
602680	6-1	604843	5-4
602725	6-3	604903	4-2
603113	8-15	604944	9-3
603135	6-1	604945	9-2, 9-3
603136	6-1	605038	5-2
603148	9-2, 9-3	605039	5-2
603223	4-2	605044	9-4
603326	6-3	605145	4-3
603524	6-1	605197	5-4
603572	4-2	605198	5-4
603807	6-3	605217	4-1
603866	4-2	605218	4-1

605317	6-1	605535	6-3
605376	8-3, 8-11, 8-14	605538	8-15
605380	8-2, 8-10, 8-13	605542	4-4, 6-3
605383	4-3	605554	7-2
605384	4-3	605558	7-1
605425	6-3	605564	6-3
605432	6-3	605565	6-3
605458	7-2	605566	9-1, 9-3
605463	8-2, 8-5, 8-10, 8-13	605601	6-3
605465	8-2, 8-5, 8-10, 8-13	605605	7-2
605466	8-15	605608	4-2
605467	8-2, 8-5, 8-10, 8-13	605613	9-2, 9-3
605468	4-1	605614	9-2, 9-3
605469	8-3, 8-11, 8-14	605615	9-2, 9-3
605470	8-15	605627	7-1
605473	7-1	605628	7-1
605479	9-4	605629	7-1
605481	4-1	605646	9-4
605483	7-2	605690	6-3
605484	5-1	605691	9-4
605485	5-5	605724	4-3
605490	6-1	605727	5-6
605491	6-3	605728	5-3
605492	6-3	605778	4-2
605493	6-3	605779	4-2
605500	4-1	605782	9-1
605501	4-1	605812	9-1, 9-2
605504	8-2, 8-10, 8-13	606251	8-11
605507	8-7	606252	8-3
605508	8-2, 8-5, 8-10, 8-13	606253	8-14
605510	8-14	606362	8-2, 8-5, 8-10, 8-13
605512	8-2, 8-5, 8-10, 8-13	704643	8-15
605518	4-4	704759	4-4
605521	7-1	704791	4-1
605522	7-1	704932	7-2
605533	6-3	705178	4-5
605534	6-3	705954	5-1, 5-3, 8-2, 8-10, 8-13

706531	6-3	784223	5-1, 5-3
706549	4-1	784603	5-1, 5-3
707398	4-4	785063	6-1
710087	4-1	785139	4-4
710194	8-15	785220	4-4
712257	7-2	785261	6-2
712372	6-1	785279	6-2
712919	4-1	785808	7-2
712927	9-1	786079	5-2
712976	5-1, 5-3	786103	5-2, 5-4
713198	3-1, 7-1, 9-1	786277	8-12
720516	6-1	786483	8-11
725796	4-4	786657	7-2
747402	5-2	786731	5-2
747741	5-4	786848	4-1
763318	6-2	788877	4-2
765339	4-4	789776CE	3-1
767954	3-2, 4-1, 4-3, 4-4, 4-5, 6-1, 8-2, 8-5, 8-10, 8-13, 8-15, 9-1	791251	6-1
767962	8-3, 8-7, 8-11, 8-14, 8-15, 9-4	791335	8-3
768259	8-15	793059	8-15
768515	4-1, 7-2	793794	8-14
768523	4-1, 4-3, 4-4, 4-5, 6-1, 8-8, 8-16	793976	8-1, 8-4
776310	3-1	794214	8-14
776476	7-2	794230	8-14
778365	7-2	794685	8-14
779280	9-1	796623	8-3, 8-7
781153	4-1, 4-5	796631	8-3, 8-7
781260	4-3	797704	8-11
781419	8-1, 8-4, 8-9, 8-12	797712	8-11
781567	8-2, 8-3, 8-5, 8-7, 8-10, 8-11, 8-13, 8-14	798603	8-2, 8-10, 8-13
781872	8-3, 8-5, 8-7, 8-11, 8-14	799171	8-9
781880	6-3	808477	7-2
781922	4-3, 4-5	808493	3-1
782474	8-3, 8-7, 8-11, 8-14		
783506	8-5		